

HOW TO ORDER PARTS

MODELS 186, 187, 471, 472

1. Refer to the machine breakdown above. Each assembly breakdown contains an item description and page location in this parts manual.
2. Determine part number(s) needed by referring to drawing of part. Locate item number from drawing and refer to item number, part number and description.
3. Complete your parts order, double check part numbers and quantities. Include a call back number in the event there is a question regarding your order. Fax, email or mail your order to National Vendors or place your order online at www.cranems.com.
4. Specify how you would like your order to be shipped. If you do not specify, we will ship the most economical way. In the case of warranty replacements, we reserve the right to determine the method of shipment.

Should you have questions pertaining to this manual or the vendor, please contact Crane Merchandising Systems or write directly to:

Crane Merchandising Systems
3330 Dixie Narco Blvd
Williston, SC 29853 USA
803-266-8890 or 800-621-7278
803-266-5051 (fax)
Email: parts@cranems.com
www.cranems.com

List of Figures

FIGURE 1: ASSY, SERVICE DOOR, MERCHANT MEDIA	4
FIGURE 2: ASSY, MERCHANT BEZEL.....	8
FIGURE 3: MONETARY PILL 3.5(KEYPAD).....	10
FIGURE 4: MONETARY PILL 7”(TOUCHSCREEN).....	12
FIGURE 5: ASSY, MONETARY FAN MER CMB.....	14
FIGURE 6: ASSEMBLY, COIN MECH	16
FIGURE 7: ASSEMBLY, COIN MECH BEFORE DECEMBER 2012.....	16
FIGURE 8: AMBIENT CABINET AND GLASS DOOR ASSEMBLY.....	18
FIGURE 9: DEL BIN ASSEMBLY COMMON AMBIENT 4W.....	20
FIGURE 10: BIN & PANEL ASM AMBIENT 4W.....	22
FIGURE 11: DEL BIN ASSEMBLY COMMON 6W.....	24
FIGURE 12: BIN & PANEL ASM AMBIENT 6W.....	26
FIGURE 13: COMBO CABINET AND GLASS DOOR ASSEMBLY.....	28
FIGURE 14: BIN & PANEL ASM COMBO 4W.....	30
FIGURE 15: BIN & PANEL ASM COMBO 6W.....	32
FIGURE 16: COVER,CORD	34
FIGURE 17: REFRIGERATION UNIT ASSEMBLY – DOMESTIC 4W.....	36
FIGURE 18: REFRIGERATION UNIT ASSEMBLY – DOMESTIC 6W.....	38
FIGURE 19: REFRIGERATION UNIT ASSEMBLY – 230VAC 4W (471,472).....	40
FIGURE 20: COMBO ADA BIN BARRIER.....	42
FIGURE 21: SNACK TRAY.....	44
FIGURE 22: CANDY TRAY.....	46
FIGURE 23: SQUAT TRAY.....	48
FIGURE 24: HALF CYCLE GUM & MINT SPIRAL ASSEMBLY.....	50
FIGURE 25: SNACK AND CANDY TRAY ASSEMBLY COMBO.....	52
FIGURE 27: BOTTLE TRAY ASSEMBLY COMBO.....	56
FIGURE 28: ASSY AC BOX AMB -120VAC.....	58
FIGURE 29: ASSY AC BOX COMBO – 120VAC.....	60
FIGURE 30: ASSY AC BOX AMB – 230VAC.....	62
FIGURE 31: ASSY AC BOX COMBO – 230VAC.....	64
FIGURE 32: ZONE BARRIER COMBO	66
FIGURE 33: ASSY, MEDIA INTERNAL KEYPAD – OPTIONAL.....	68
FIGURE 34: MEDIA TALKER SPEAKER AND BRACKET ASSY – OPTIONAL.....	70

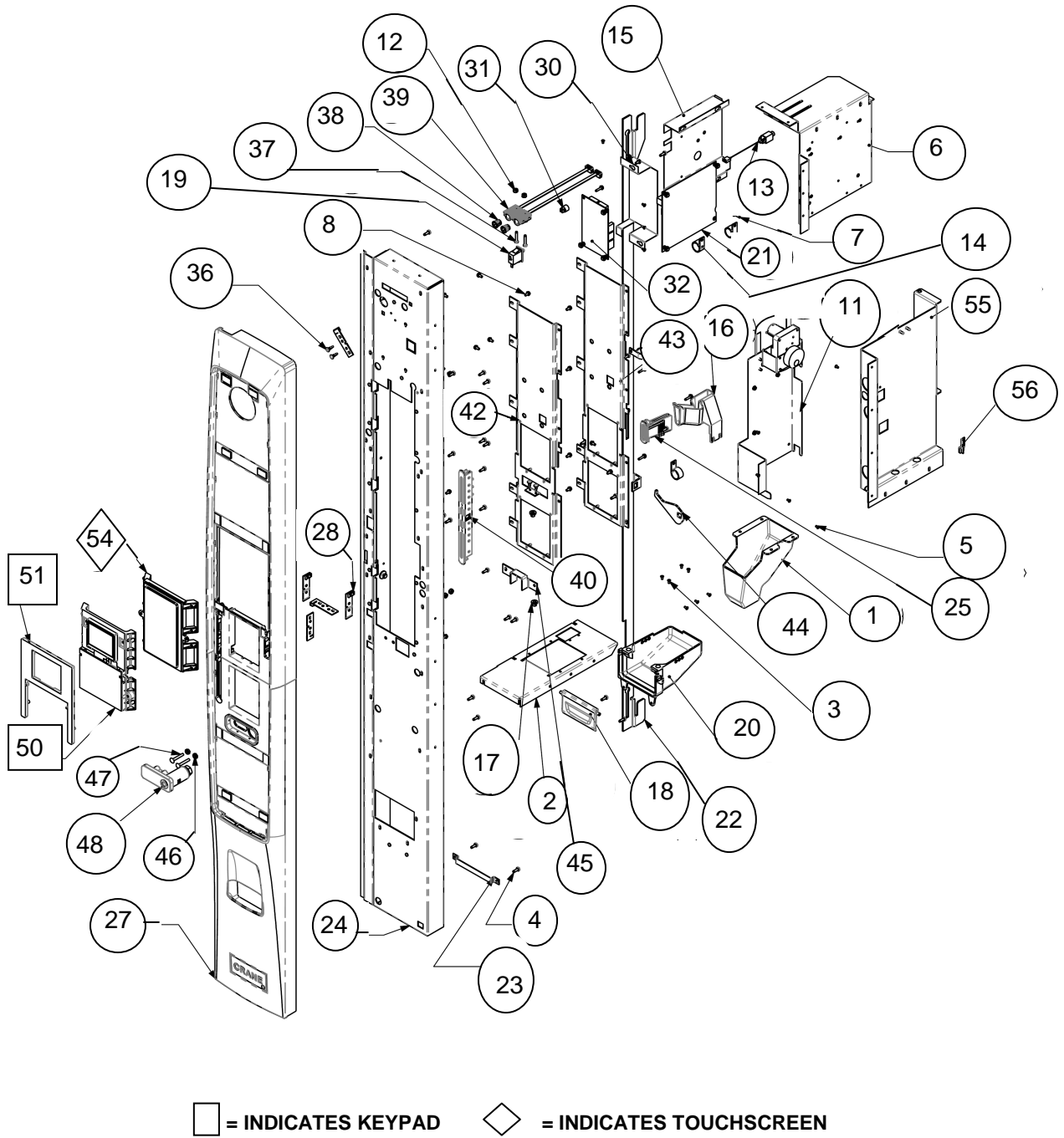
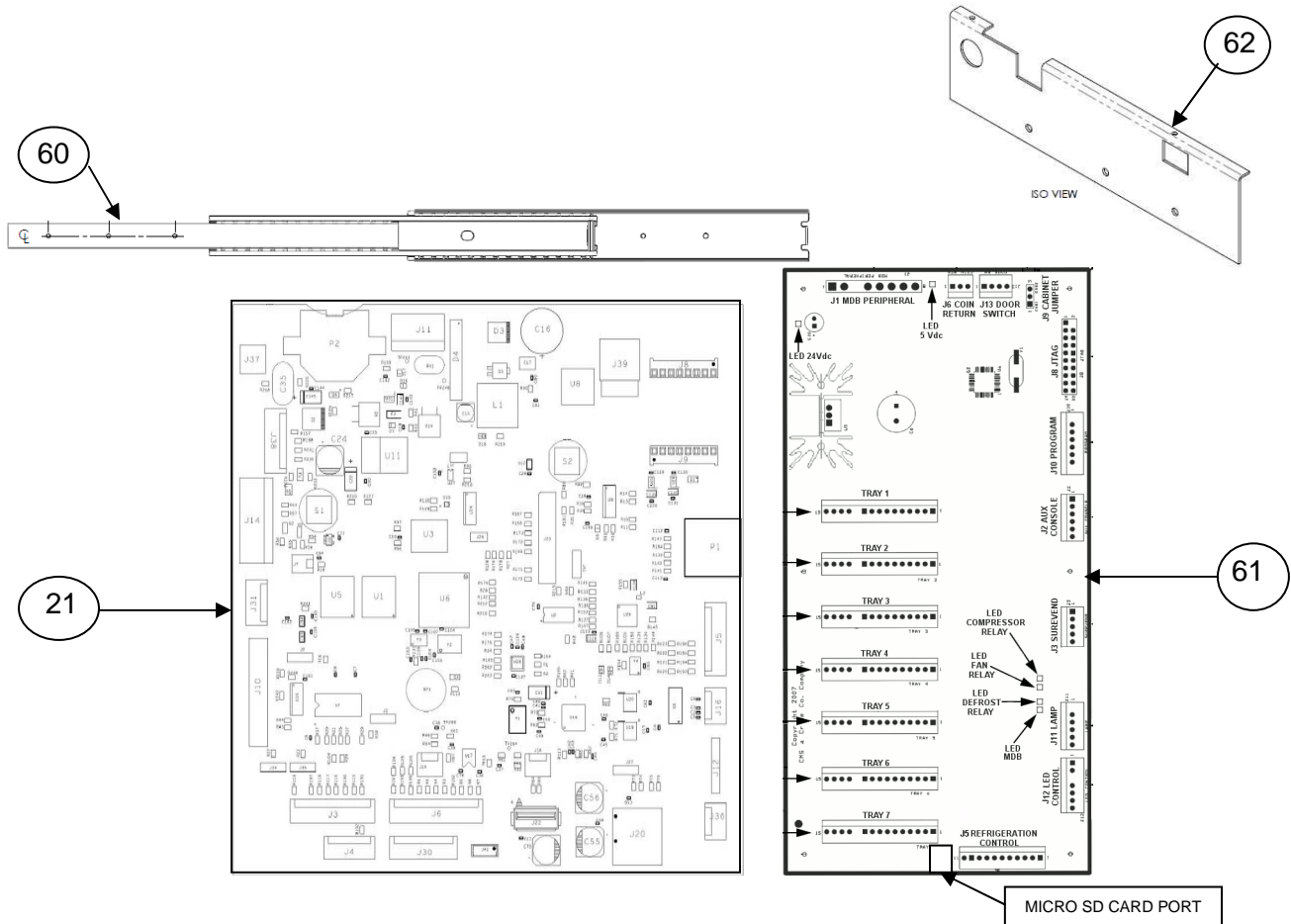


FIGURE 1: ASSY, SERVICE DOOR, MERCHANT MEDIA

TABLE 1: ASSY, SERVICE DOOR, MERCHANT MEDIA

ITEM	KEYPAD 3.5"	TOUCHSCREEN 7"	DESCRIPTION	QTY
1	CR0013136	CR0013136	CHUTE, COIN RETURN LOWER MERCH	1
2	CR0013342	CR0013342	BRKT, LOWER CHUTE, COMBO	1
3	3502078	3502078	RIVET, POP-.125 DIA X .265	7
4	4277042	4277042	SCREW, #8-10 x.5 T/F-PHS	29
5	80110081	80110081	RIVET, 1/8 STEEL ZINC PLT	10
6	CR0016338	CR0016338	ASSY, BKT UPR G MONETARY	1
7	1471199	1471199	SCREW-#8-18 x .62 HEX/WH.	5
8	3157060	3157060	SCREW,#8-32X.31 HEX W/HD.-TF	*
9	CR0010913	CR0010913	HARNESS-DOOR SWITCH(<i>NOT SHOWN</i>)	1
10	80491101	80491101	GROUND,R, LEAD 16AWG 32in(<i>NOT SHOWN</i>)	1
11	PCR0018826	PCR0018826	ASSY, COIN MECH	1
12	9900081	9900081	NUT, #8-32 KEPS ZINC PLATE	5
13	CR0012945	CR0012945	HARNESS, DEX PANEL MOUNT	1
14	6231035	6231035	CLIP, HARNESS .750	4
15	CR0014661	CR0014661	COVER, ATLAS G BOARD	1
16	CR0021138	CR0021138	CHUTE, COIN	1
17	1815066	1815066	STABILIZER-COIN MECH	2
18	CR0021032	CR0021032	FLAP COIN RETURN CUP, MERCH	1
19	1401110	1401110	SWITCH	1
20	CR0013137	CR0013137	CUP, COIN, BV/MERCH	1
21	PCR0020294	PCR0020293	BRD,W/SFTWR ATLASG	1
22	CR0022631	CR0022631	LOCKBAR MERCHANT/MG	1
23	CR0014122	CR0014122	BRACKET, LOWER BOSS	1
24	CR0012804	CR0012804	ASSY, MERCHANT G SERVICE DOOR	1
25	CR0012773	CR0012773	INSERT, COIN RAMP	1
26	4727069	4727069	GASKET, .19X.38	48
27	PCR0014990	PCR0014990	ASSY, MERCHANT BEZEL	1
28	CR0014123	CR0014123	ASSY, PCB LED	5
29	CR0010661	CR0010661	HARNESS-LED(<i>NOT SHOWN</i>)	1
30	CR0021361	CR0021361	COVER, LED BOARD	1
31	1571034	1571034	STANDOFF, PCB-3/8 SCREW MOUNT	1
32	CR0014114	CR0014114	ASSY, PCB, LED DRIVER	1
*	80190380	80190380	STANDOFF, PCB, LED DRIVER(<i>NOT SHOWN</i>)	*
33	CR0014535	CR0014535	HARNESS, LED BADGE(<i>NOT SHOWN</i>)	1
34	CR0010350	CR0010350	GUIDE, Ø5mm FLEX LIGHT(<i>NOT SHOWN</i>)	1
35	CR0015428	CR0015428	HARNESS, LED BUNDLE(<i>NOT SHOWN</i>)	1
36	80190380	80190380	STANDOFF,R,RICHCO	4
37	80030492	80030492	SCRW,R,8-32X1 PHLPAN ZNC	2
38	CR0012948	CR0012948	SLEEVE, SPLIT,LIGHT PIPE	2
39	CR0010922	CR0010922	LGHT ENGINE,HIGH BRGHTNESS RGB	2
40	CR0014768	CR0014768	A,BEZEL,CRDRDR & MAGHEAD	1
41	CR0014363	CR0014363	HARNESS, CARDREADER(<i>Not Shown</i>)	1
42	CR0014639	CR0014639	ASSY BRKT PAYMENT INT BILL	1
43	CR0014642	CR0014642	ASSY BRKT PAYMENT STD	1

44	CR0012926	CR0012926	ARM, ACTUATOR	1
45	CR0022656	CR0022656	STIFFENER, L-LOCK	1
46	80080166	80080166	NUT,R, HEX, 10-24, W/WASHER	2
47	CR0010130	CR0010130	BOLT, CARRIAGE,#10-24-1 1/4	2
48	CR0023014	CR0023014	L-HANDLE MEDIA GLOBAL	1
49	CR0021995	NOT USED	HARN, ATLAS TO KEYPAD DISPLAY (Not Shown)	1
50	CR0014704	NOT USED	KEYPAD ASSY, MEDIA LITE	1
51	PCR0014995	NOT USED	ASSY, FRAME KEYPAD MEDIA LITE	1
52	NOT USED	CR0010653	HARNESS MERCHANT LE TO LCD(Not Shown)	1
53	NOT USED	CR0013043	HARNESS-LVDS (Not Shown)	1
54	NOT USED	CR0023116	A, TOUCH SCREEN 7in LOGIC MEDIA	1
55	CR0021133	CR0021133	ASSY, RT SIDE MONETARY BRKT	1
56	80130453	80130453	LATCH,R, ACCESS DOOR	1
57	CR0013989	CR0013989	HARNESS-MDB (Not Shown)	1
58	80492814	80492814	PWR CRD, GFCI INLINE 198" DOM(Not Shown)	1
59	4727069	4727069	GASKET, .19X.38(Not Shown)	48"
60	CR0012692	CR0012692	SLIDE, MONETARY(SEE BELOW)	3
61	CR0012301	CR0012301	PCB ASSY-MERCHANT IO-V2.22	1
62	CR0013405	CR0013405	BRACKET, 3RD. SLIDE, COMBO	1
63	4727069	4727069	GASKET, .19X.38 (100 ft/roll)(NOTSHOWN)	*



THIS PAGE INTENTIONALLY LEFT BLANK

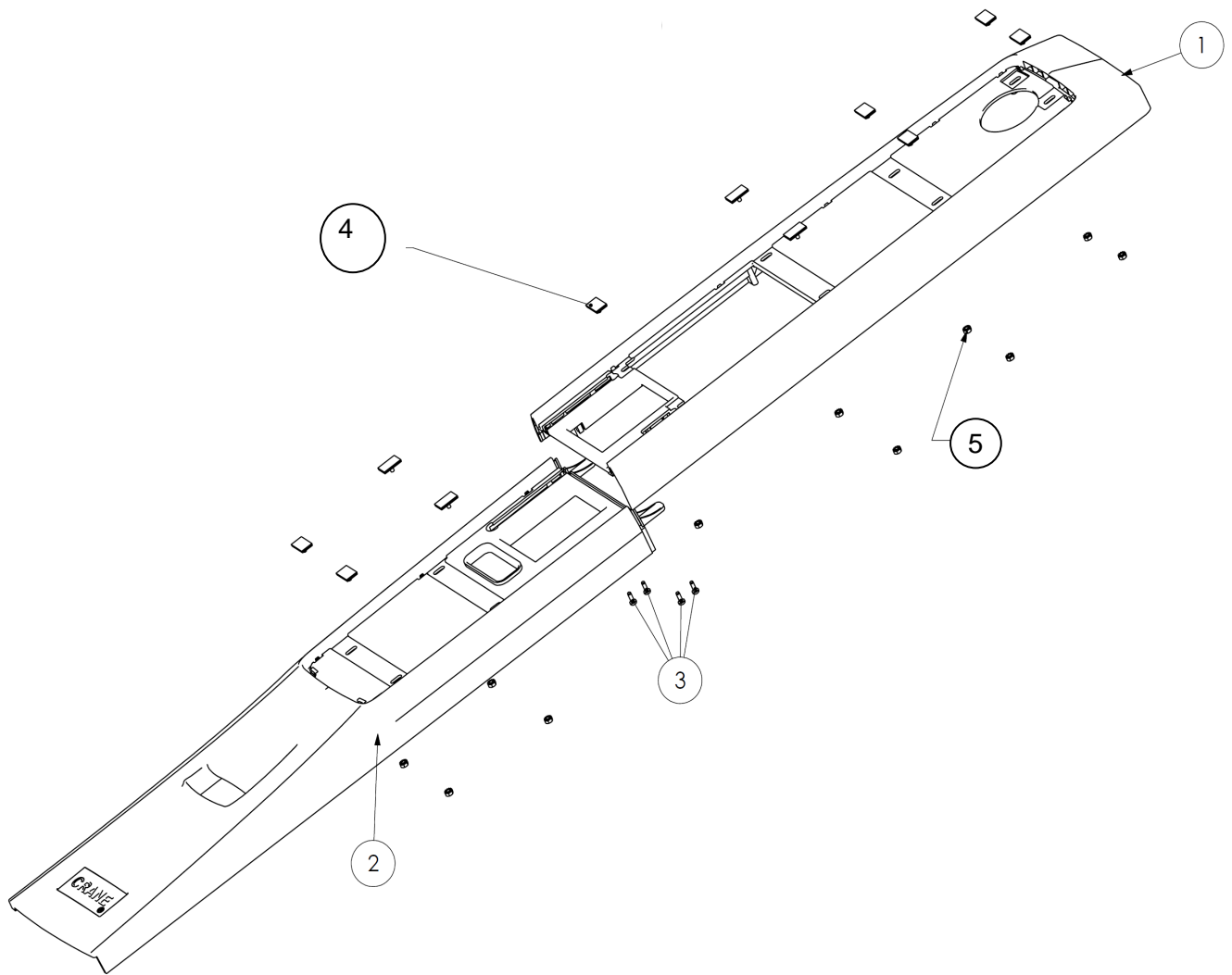


FIGURE 2: ASSY, MERCHANT BEZEL

TABLE 2: ASSY, MERCHANT BEZEL

ITEM	PART NUMBER	DESCRIPTION	QTY
1	CR0013145	PANEL, UPPER	1
2	CR0012270	PANEL, LOWER	1
3	4277042	SCREW, #8-10 x.5 T/F-PHS	4
4	CR0021117	ASSY, ADHESIVE PILL MNT	11
5	9900081	NUT, #8-32 KEPS ZINC PLATE	11




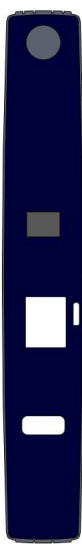





							
I	J	K	L	M	N	O	P
PILL, MERCH, 3.5IN, INT	PILL, MERCH, 3.5IN, INT CRD	PILL, MERCH, 3.5IN, INT BILL	PILL, MERCH, 3.5IN UPR KO	PILL, MERCH, 3.5IN, 2KO	PILL, MERCH, 3.5IN, INT CRD, 2KO	PILL, MERCH, 3.5IN, INT, LWR KO	PILL, MERCH, 3.5IN, INT BILL, LWR KO
	<div style="border: 1px solid black; padding: 5px; display: inline-block;"> <p>CUSTOM PILLS ARE AVAILABLE BY INQUIRING WITH ORDER ENTRY TEAM OR BY CONTACTING YOUR SALES REPRESENTATIVE</p> </div>						
R							
PILL, MERCH, 3.5IN							

FIGURE 3: MONETARY PILL 3.5(KEYPAD)

TABLE 3: MONETARY PILL 3.5”(KEYPAD)				
ITEM	PART NUMBER		DESCRIPTION	QTY
	BLUE(US)	BLACK(UK)		
I	1875000	1875001	Pill, Merchant, 3.5", Integrated Coin, Bill, Credit Card	1
J	1875002	1875003	Pill, Merchant, 3.5", Integrated Coin & Credit Card + Upper Knockout	1
K	1875004	1875005	Pill, Merchant, 3.5", Integrated Coin, Bill, no Credit Card	1
L	1875006	1875007	Pill, Merchant, 3.5", Integrated Coin, Upper Knockout,	1
M	1875008	1875009	Pill, Merchant, 3.5", Integrated Coin, Upper & Lower Knockout	1
N	1875010	1875011	Pill, Merchant, 3.5", Integrated Coin & Credit Card + Upper & Lower Knockout	1
O	1875012	1875013	Pill, Merchant, 3.5", Integrated Coin, Bill, Credit Card + Lower Knockout	1
P	1875014	1875015	Pill, Merchant, 3.5", Integrated Coin, Bill, + Lower Knockout	1
R	1875034	1875035	PILL,MERCH,3.5IN, coin only	1










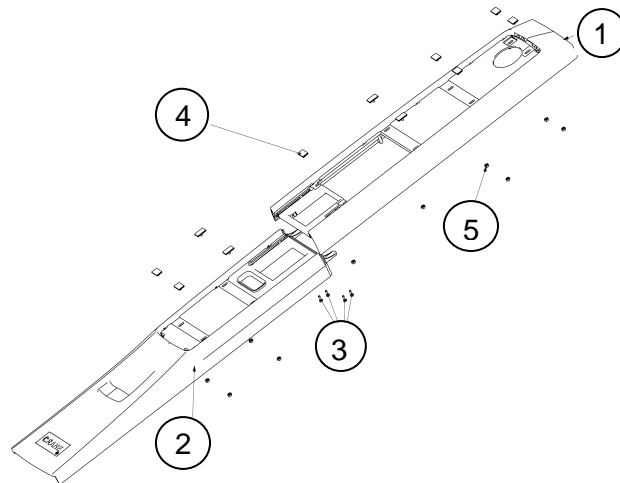
							
A	B	C	D	E	F	G	H
PILL, MERCH,7IN, INT	PILL, MERCH,7IN ,INT CRD	PILL, MERCH,7IN, INT BILL	PILL, MERCH,7IN	PILL, MERCH,7 IN,2KO	PILL, MERCH,7IN, INTCRD,2KO	PILL, MERCH,7IN, INT LWR	PILL, MERCH,7IN, INT BILL, LWR KO
	<div style="border: 1px solid black; padding: 5px; width: fit-content; margin: 0 auto;"> <p>CUSTOM PILLS ARE AVAILABLE BY INQUIRING WITH ORDER ENRTY TEAM OR BY CONTACTING YOUR SALES REPERSENTATIVE</p> </div>						
Q							
PILL,MERCH 7IN							

FIGURE 4: MONETARY PILL 7”(TOUCHSCREEN)

TABLE 4: MONETARY PILL 7”(TOUCHSCREEN)

ITEM	PART NUMBER		DESCRIPTION	QTY
	BLUE(US)	BLACK(UK)		
A	1875016	1875017	Pill, Merchant,7” , Integrated Coin, Bill, Credit Card	1
B	1875018	1875019	Pill, Merchant, 7”, Integrated Coin & Credit Card + Upper Knockout	1
C	1875020	1875021	Pill, Merchant, 7”, Integrated Coin, Bill, no Credit Card	1
D	1875022	1875023	Pill, Merchant, 7”, Integrated Coin, Upper Knockout,	1
E	1875024	1875025	Pill, Merchant, 7”, Integrated Coin, Upper & Lower Knockout	1
F	1875026	1875027	Pill, Merchant, 7”, Integrated Coin & Credit Card + Upper & Lower Knockout	1
G	1875028	1875029	Pill, Merchant, 7”, Integrated Coin, Bill, Credit Card + Lower Knockout	1
H	1875030	1875031	Pill, Merchant, 7”, Integrated Coin, Bill, + Lower Knockout	1
Q	1875032	1875033	PILL,MERCH,7IN, coin only	1



ASSY, MERCHANT BEZEL

ITEM	PART NUMBER	DESCRIPTION	QTY
1	CR0013145	PANEL, UPPER	1
2	CR0012270	PANEL, LOWER	1
3	4277042	SCREW, #8-10 x.5 T/F-PHS	4
4	CR0021117	ASSY, ADHESIVE PILL MNT	11
5	9900081	NUT, #8-32 KEPS ZINC PLATE	11
6	5900717	CASHCODE BEZEL SMV INT	1

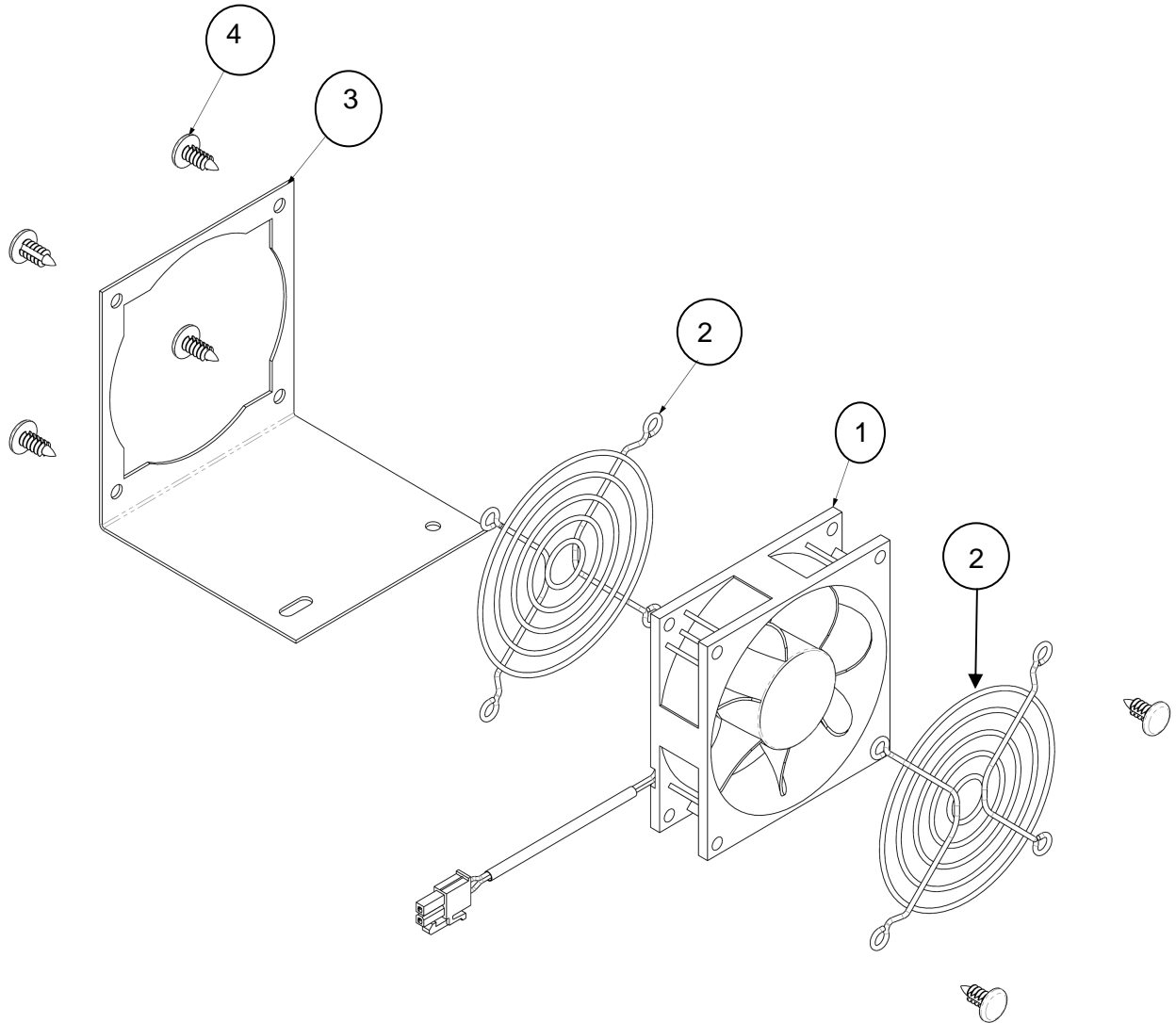


FIGURE 5: ASSY, MONETARY FAN MER CMB

TABLE 5: ASSY, MONETARY FAN MER CMB

ITEM	PART NUMBER	DESCRIPTION	QTY
1	CR0020884	FAN, 80MM 24V MONETARY CMB	1
2	CR0020880	GUARD, 80MM FAN	2
3	CR0020892	BRKT, 80MM FAN CMB	1
4	CR0020950	RIVET,NYLON RIBBED SHANK BLK	6

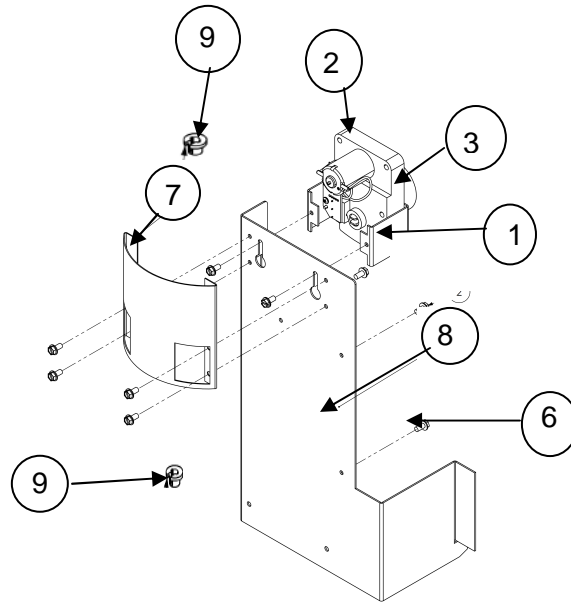


FIGURE 6: ASSEMBLY, COIN MECH

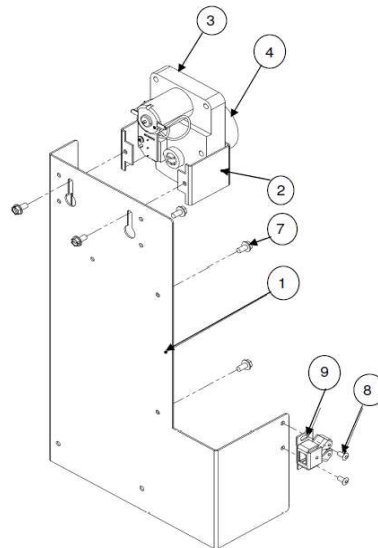


FIGURE 7: ASSEMBLY, COIN MECH BEFORE DECEMBER 2012

TABLE 6: ASSEMBLY, COIN MECH

ITEM	PART NUMBER	DESCRIPTION	QTY
1	CR0012826	BRACKET, COIN RETURN MOTOR	1
2	1577038	MOTOR & PC BOARD ASSEMBLY	1
3	1815028	CAM-COIN RETURN	1
4	4407712	COUPLING-MOTOR <i>(Not Shown)</i>	1
5	1457027	SCREW,#8-32 X .81 HEX HD. <i>(Not Shown)</i>	2
6	3157060	SCREW,#8-32X.31 HEX W/HD.-TF	5
7	CR0014129	SHIELD, ALIGNMENT	1
8	CR0021132	BRACKET, COIN MECH	1
9	1815036	ASSY-COINMECH MOUNT	2

**TABLE 7: ASSEMBLY, COIN MECH
BEFORE DECEMBER 2012**

ITEM	PART NUMBER	DESCRIPTION	QTY
1	CR0018647	BRACKET, COIN MECH	1
2	CR0012826	BRACKET, COIN RETURN MOTOR	1
3	1577038	MOTOR & PC BOARD ASSEMBLY	1
4	1815028	CAM-COIN RETURN	1
5	4407712	COUPLING-MOTOR <i>(Not Shown)</i>	1
6	1457027	SCREW,#8-32 X .81 HEX HD. <i>(Not Shown)</i>	2
7	3157060	SCREW,#8-32X.31 HEX W/HD.-TF	5
8	3502078	RIVET, POP-.125 DIA X .265	2
9	80152201	ROLLER,R, DOUBLE, CATCH	1

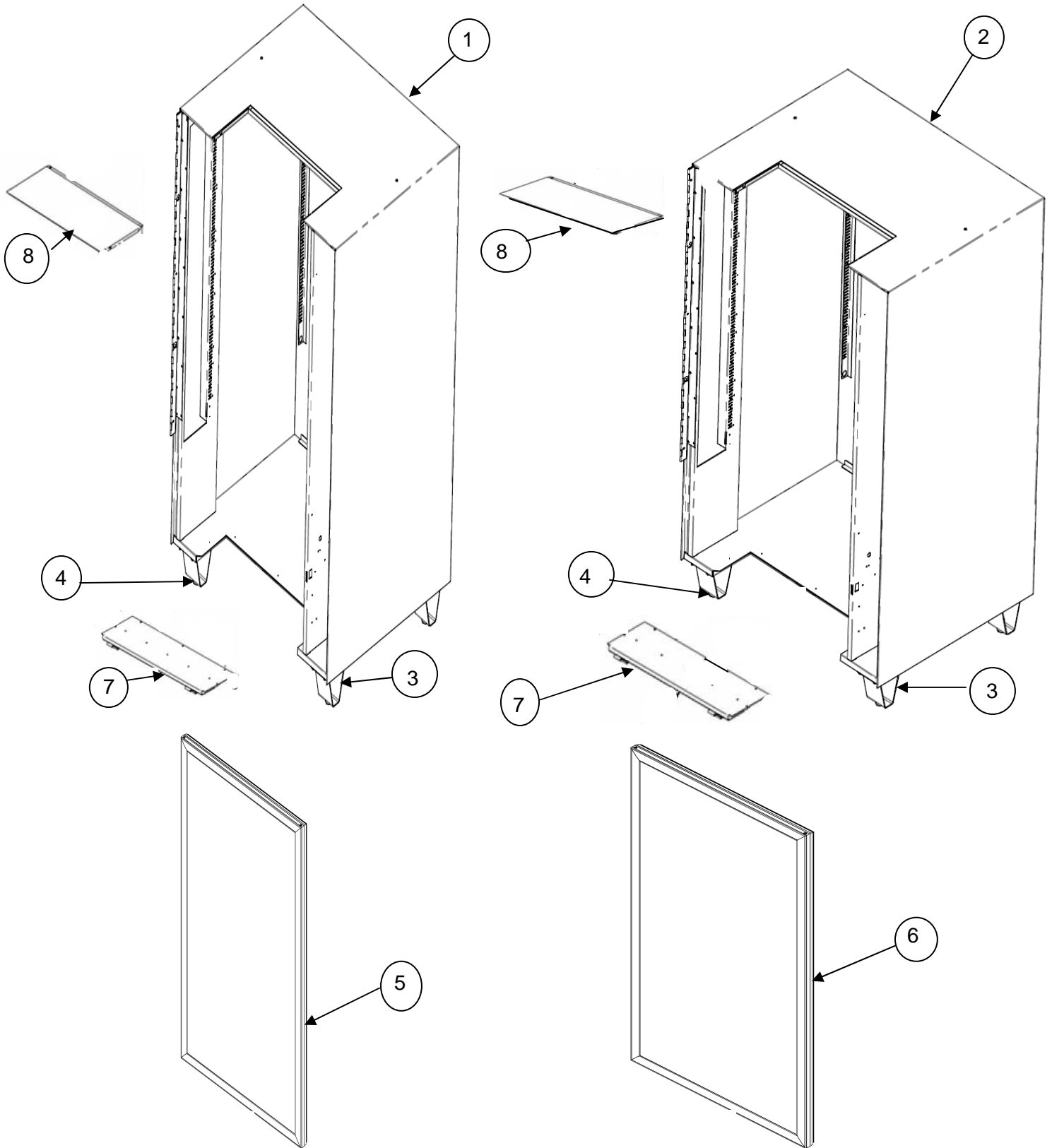


FIGURE 8: AMBIENT CABINET AND GLASS DOOR ASSEMBLY

TABLE 8: AMBIENT CABINET AND GLASS DOOR ASSEMBLY				
ITEM	PART NUMBER		DESCRIPTION	QTY
	MODEL 186	MODEL 187		
1	CR0019912	-----	ASSY, 4W AM "T" BLACK CAB	1
2	-----	CR0019353	ASSY, 6W AM T-BLACK CABINET	1
3	P1811001	P1811001	LEG ASSY-COMPLETE	4
4	1811002	1811002	LEVERLER-LEG	4
5	CR0009112	-----	DOOR, 4W CRIMP STYLE	1
6	-----	CR0008186	DOOR, 6W CRIMP STYLE	1
7	P1801091	P1811091	BOTTOM FILLER ASSY	1
8	1801027	1811078	FILLER-TOP-GALVANIZED	1

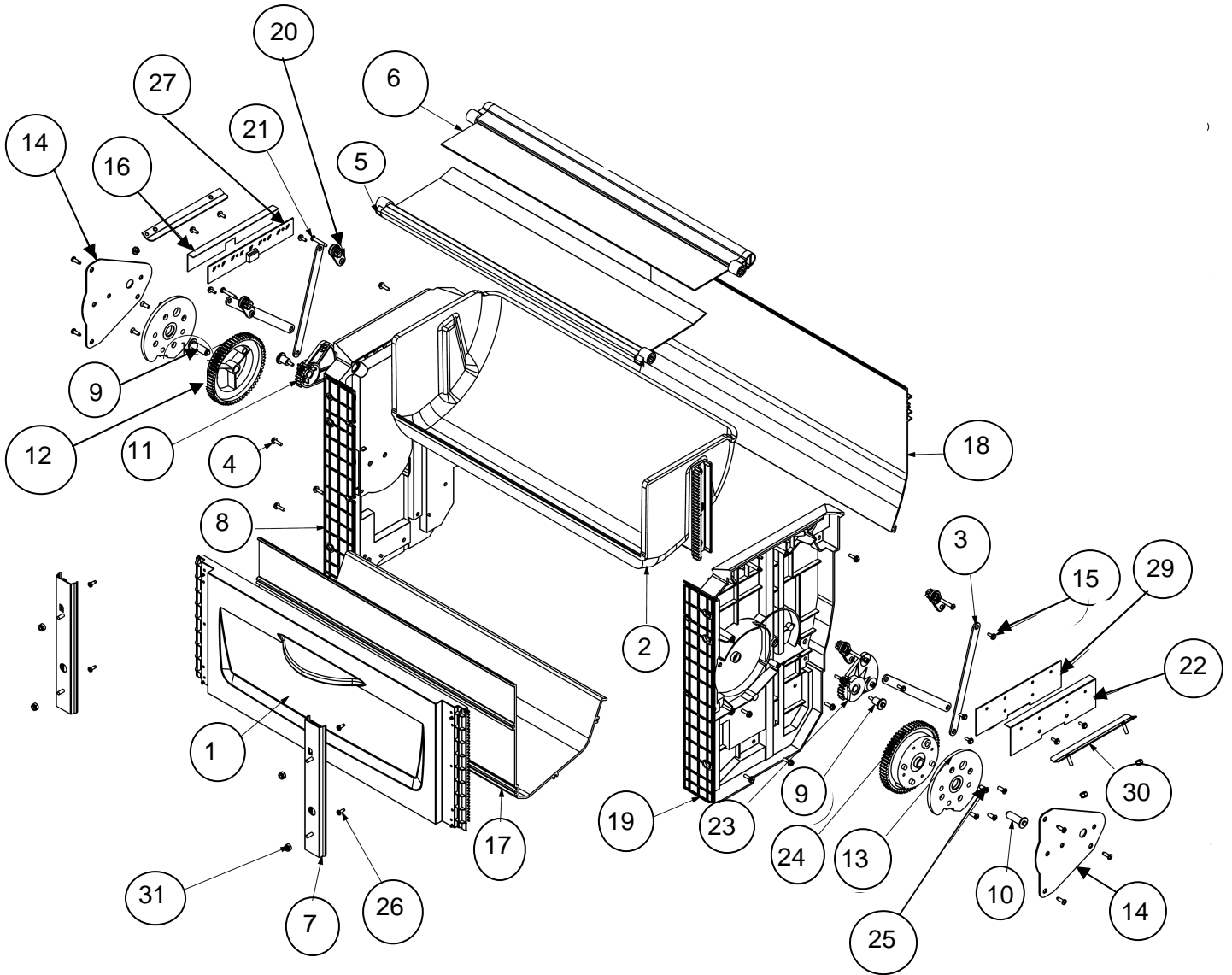


FIGURE 9: DEL BIN ASSEMBLY COMMON AMBIENT 4W

TABLE 9: DEL BIN ASSEMBLY COMMON 4W

ITEM	PART NUMBER	DESCRIPTION	QTY
1	PCR0015252	ASSY, BEZEL MERCHANT	1
2	PCR0013425	A, DELIVERY BUCKET 4 WD	1
3	PCR0012669	LINK, FLAP ARM TO INDEX MER	4
4	4741050	SCREW,#8-32X.50 HX.HD.-T/F-BLK	12
5	PCR0014126	A, FLAP,PILFER 4WD FRNT	1
6	PCR0014128	A, FLAP,PILFER 4WD REAR	1
7	CR0014091	SLIDE,8.6" LONG 5.25" TRAVEL	2
8	CR0013975	BIN, SIDEWALL LEFT	1
9	CR0012316	AXLE, INDEX GEAR MER MEDIA	2
10	CR0012667	AXLE,BIN & DOOR GEAR	2
11	CR0011544	CAM LINKS (L)	1
12	CR0013720	GEAR-BIN & DOOR LH	1
13	CR0012916	CAM, DEL BIN	2
14	CR0013510	PLATE, AXLE RETAINER	2
15	3128092	SCREW,HILO-7-19 X 3/8 HEX	12
16	1812011	COVER, EMITTER,SUREVEND	1
17	CR0014778	DIVIDER FR, DELIVERY BIN 4W	1
18	CR0014777	DIVIDER RR, DELIVERY BIN 4W	1
19	CR0013978	SIDEWALL BIN (R)	1
20	CR0013930	ARM PIL. FLAP - DRIVE	4
21	6922105	SCRW, PAN HD PLASTIT PH #7X1	4
22	1812012	COVER-RECEIVER-SUREVEND	1
23	CR0013443	CAM LINKS (R)	1
24	CR0013724	GEAR-BIN & DOOR RH	1
25	6237050	SCREW-#8-16X.44-SLTD-FLHD	8
26	4747171	SCREW,#6-19 X .38 PHIL.PHS-T/C	4
27	CR0018333	PCB ASSY SUREVEND EMITTER	1
28	6922104	SCRW, PAN HD PLASTIT PH #7X.5	6
29	CR0021066	PCB ASSY-SUREVEND DETECTOR	1
30	CR0019403	ASSY, BIN VANDAL DEFLECT	2
31	80080155	NUT,R, ELASTIC STOP #8-32	8

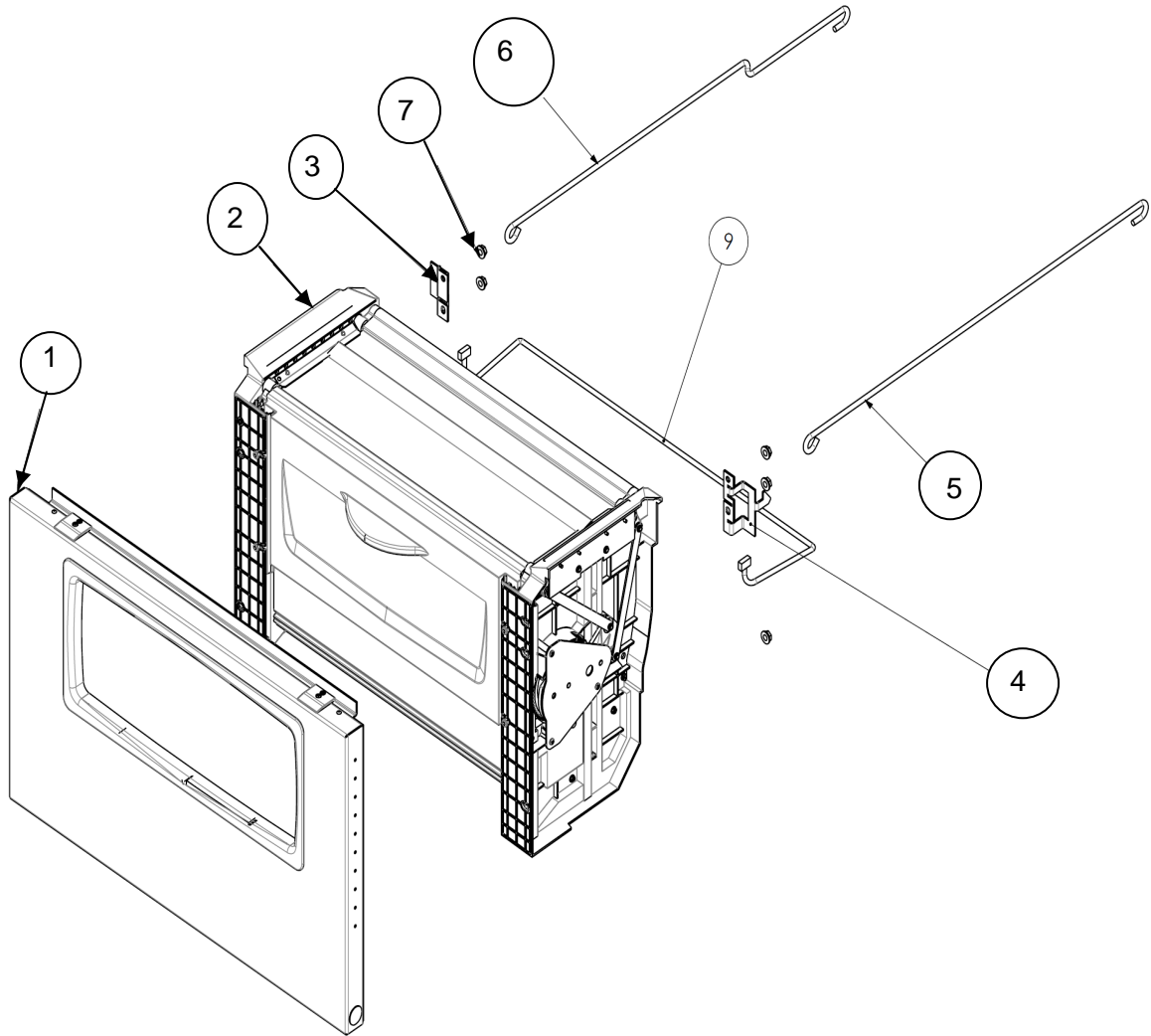


FIGURE 10: BIN & PANEL ASM AMBIENT 4W(PCR0013448)

TABLE 10: BIN & PANEL ASM AMBIENT 4W

ITEM	PART NUMBER	DESCRIPTION	QTY
1	PCR0014155	ASSY, PNL & LINER ADA 4W AMB	1
2	PCR0013478	A, DELIVERY BIN 4W COMMON	1
3	CR0013511	GUIDE, DEL BIN ELEVATOR	1
4	CR0013521	GUIDE-DELIVERY BIN (R)	1
5	1811072	ROD, STOP,DELIVERY DOOR	1
6	1811082	ROD-STOP-DEL DOOR-L/H	1
7	1172021	NUT, 1/4-20 WHIZ-LOCK	6
8	CR0005960	AERO FOAM-ADHESIVE BACKED <i>(Not Shown)</i>	60"
9	CR0017897	HARNESS, EMITTER TO DETECTOR	1

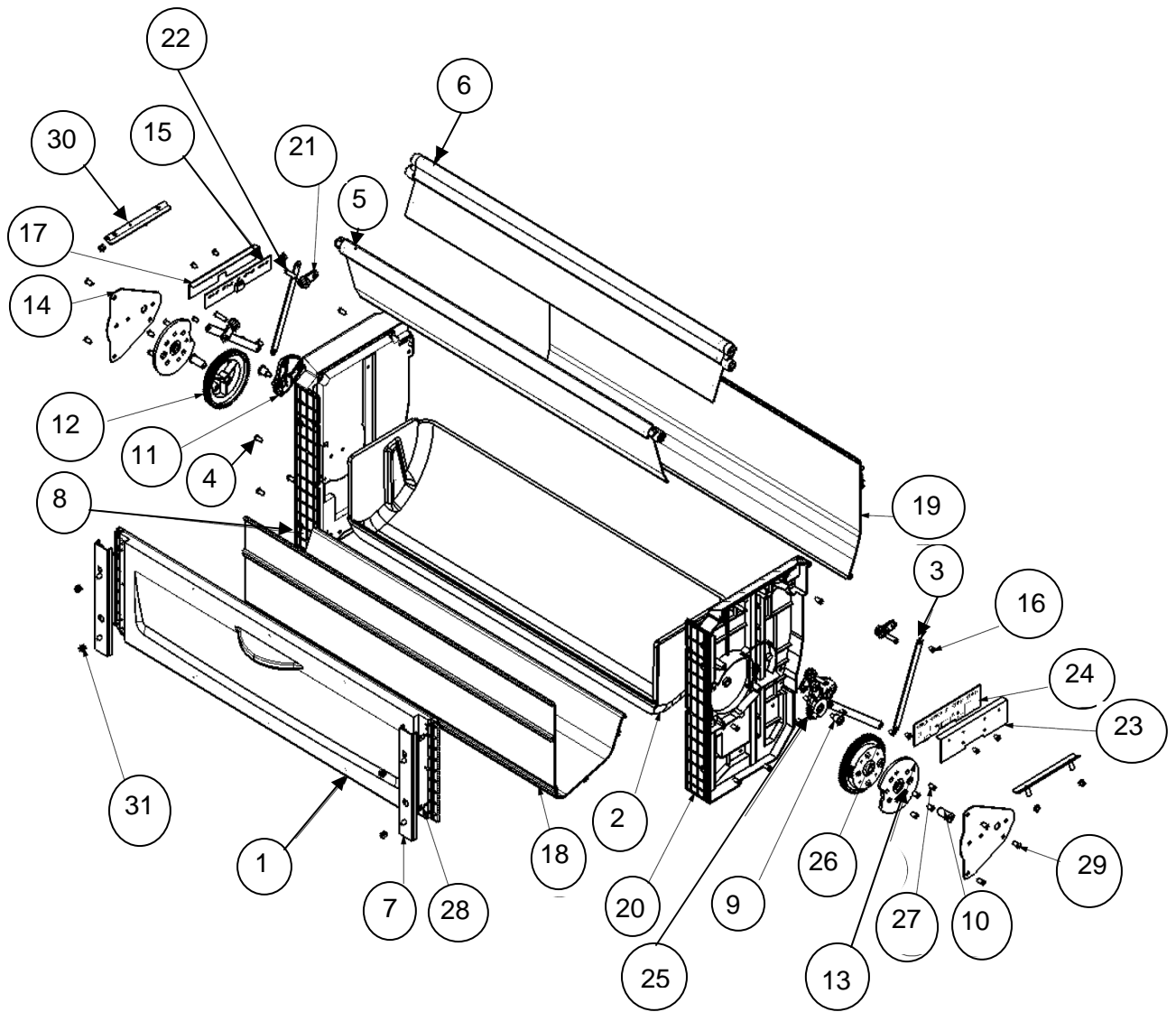


FIGURE 11: DEL BIN ASSEMBLY COMMON 6W

TABLE 11: DEL BIN ASSEMBLY COMMON 6W

ITEM	PART NUMBER	DESCRIPTION	QTY
1	PCR0012674	ASSY, DOOR BIN 6W	1
2	PCR0012731	A, DELIVERY BUCKET 6 WD	1
3	CR0012669	LINK, FLAP ARM TO INDEX MER	4
4	4741050	SCREW,#8-32X.50 HX.HD.-T/F-BLK	12
5	PCR0013937	A, FLAP,PILFER 6WD FRNT	1
6	PCR0013959	A, FLAP,PILFER 6WD REAR	1
7	CR0014091	SLIDE,8.6in LONG 5.25in TRAVEL	2
8	CR0013975	SIDEWALL BIN (L)	1
9	CR0012316	AXLE, INDEX GEAR	2
10	CR0012667	AXLE,BIN & DOOR GEAR	2
11	CR0011544	CAM LINKS (L)	1
12	CR0013720	GEAR-BIN & DOOR LH	1
13	CR0012916	CAM, DEL BIN	2
14	CR0013510	PLATE, AXLE RETAINER	2
15	CR0018333	PCB ASSY SUREVEND EMITTER	1
16	3128092	SCREW,HILO-7-19 X 3/8 HEX WASH	12
17	1812011	COVER, EMITTER,SUREVEND	1
18	CR0014728	DIVIDER FR, DELIVERY BIN 6W	1
19	CR0014729	DIVIDER RR, DELIVERY BIN 6W	1
20	CR0013978	SIDEWALL BIN (R)	1
21	CR0013930	ARM PIL. FLAP - DRIVE	4
22	6922105	SCRW, PAN HD PLASTIT PH #7X1	4
23	1812012	COVER-RECEIVER-SUREVEND	1
24	CR0021066	PCB ASSY-SUREVEND DETECTOR	1
25	CR0013443	CAM LINKS (R)	1
26	CR0013724	GEAR-BIN & DOOR RH	1
27	6237050	SCREW-#8-16X.44-SLTD-FLHD	8
28	4747171	SCREW,#6-19 X .38 PHIL.PHS-T/C	4
29	6922104	SCRW, PAN HD PLASTIT PH #7X.5	6
30	CR0019403	ASSY, BIN VANDAL DEFLECT	2
31	80080155	NUT,R, ELASTIC STOP #8-32	2

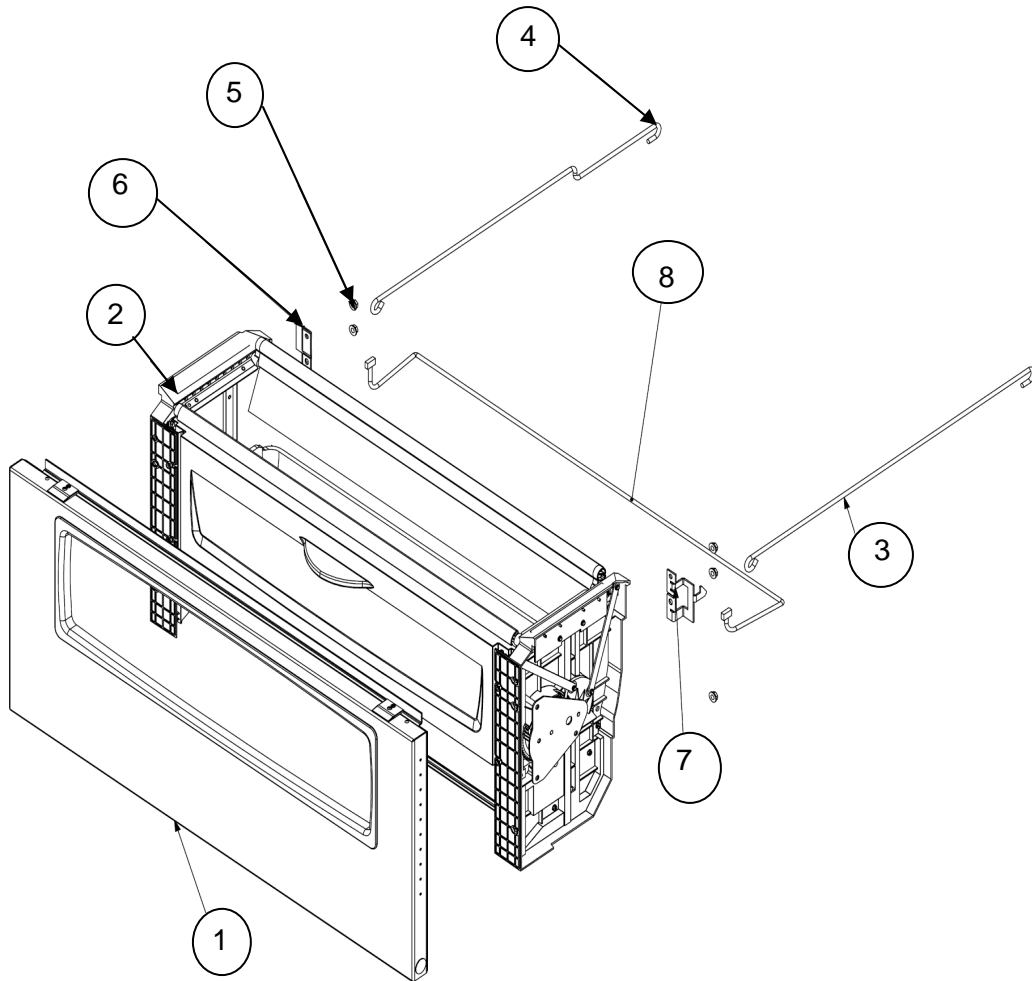


FIGURE 12: BIN & PANEL ASM AMBIENT 6W(PCR0012907)

TABLE 12: BIN & PANEL ASM AMBIENT 6W

ITEM	PART NUMBER	DESCRIPTION	QTY
1	PCR0013745	PANEL & LINER ASM AMB 6W	1
2	PCR0013428	DEL BIN ASSY COMMON 6W	1
3	1811072	ROD, STOP, DELIVERY DOOR	1
4	1811082	ROD-STOP-DEL DOOR-L/H	1
5	1172021	NUT, 1/4-20 WHIZ-LOCK	6
6	CR0013511	GUIDE, DEL BIN ELEVATOR	1
7	CR0013521	GUIDE-DELIVERY BIN (R)	1
8	CR0017897	HARNESS, EMITTER TO DETECTOR	1
9	CR0005960	FOAM, AERO ADHESIVE BACKED	72

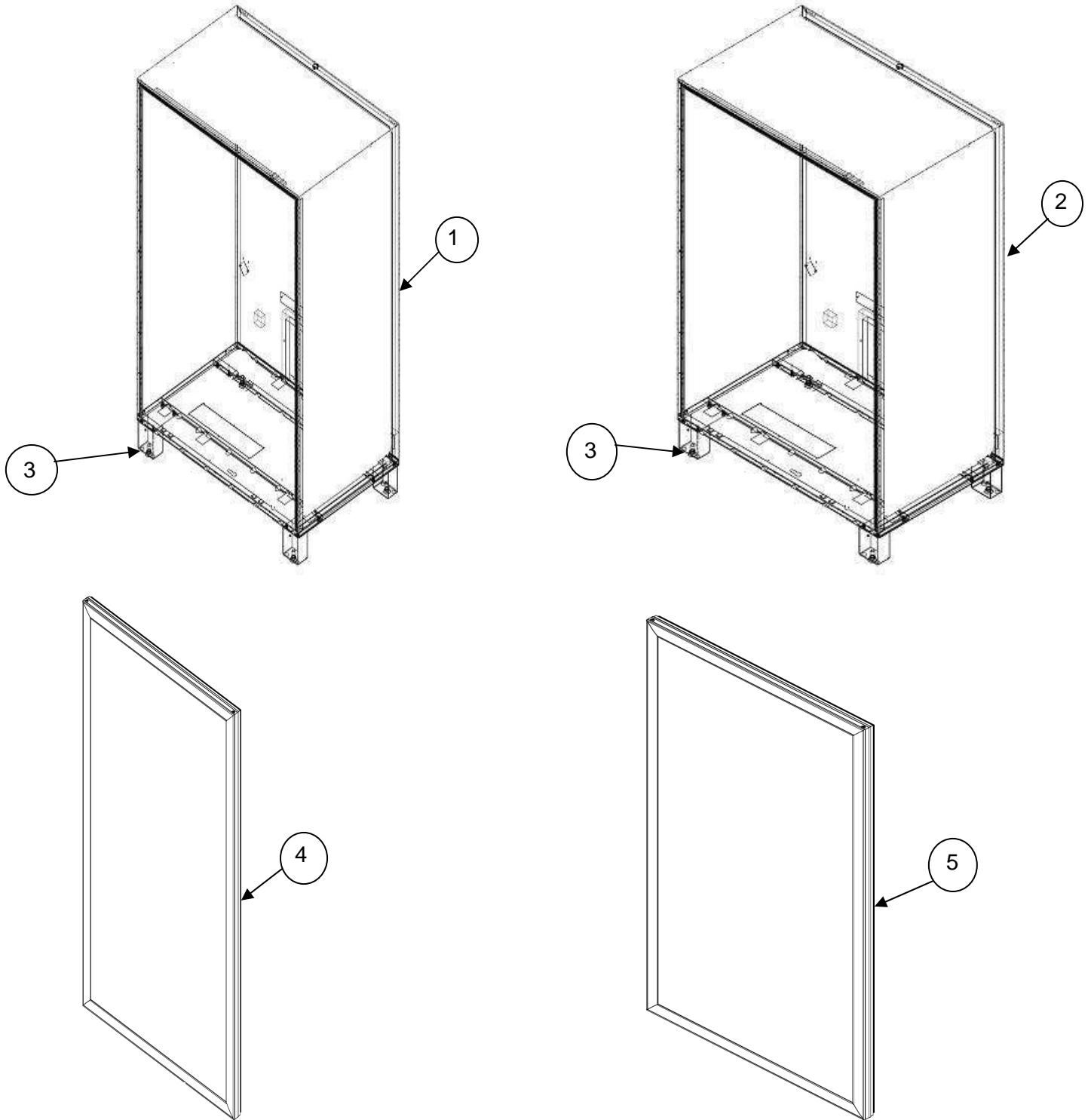
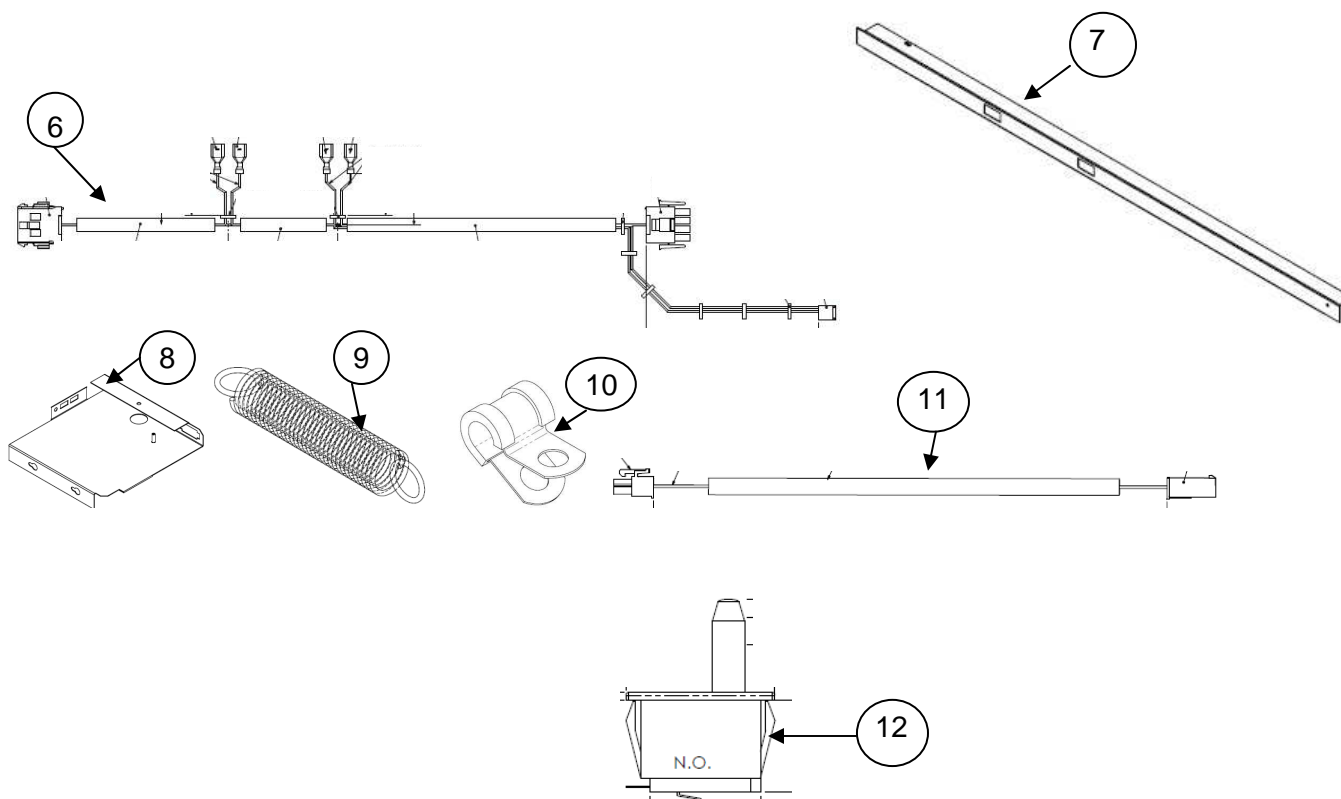


FIGURE 13: COMBO CABINET AND GLASS DOOR ASSEMBLY

TABLE 13: COMBO CABINET AND GLASS DOOR ASSEMBLY

ITEM	PART NUMBER		DESCRIPTION	QTY
	MODEL 471	MODEL 472		
1	CR0018915	-----	ASSY,SHELL FOAM 4W "T"BLACK	1
2	-----	CR0018830	ASSY, SHELL FOAM 6W "T"BLK	1
3	CR0008430	CR0008430	LEG ASSY, COMP 6" PAINTED	4
4	CR0013833	-----	ASSY, 4W GLASS DOOR CMB	1
4	CR0019904	-----	ASSY, 4W GLASS DR, 115V HTD	1
5	-----	CR0013834	ASSY, 6W GLASS DOOR CMB	1
5	-----	CR0019753	ASSY, 6W GLASS DR, 115V HTD	1
6	CR0021025	CR0021025	HARNESS, DR PWR INTRRPT DOM	1
7	CR0021069	CR0021028	BRKT,HTD DOOR HARN MEDIA	1
8	CR0021068	CR0021068	ASSY, HTD DOOR SPRNG BKT MG	1
9	CR0020864	CR0020864	SPRING, HTD DR TENSION EXT	1
10	CR0020842	CR0020842	CLAMP, STEEL WITH TPE SLEEVE .311"	1
11	CR0014731	CR0014731	HARNESS, LED EXTENSION	1
12	1401110	1401110	SWITCH	1



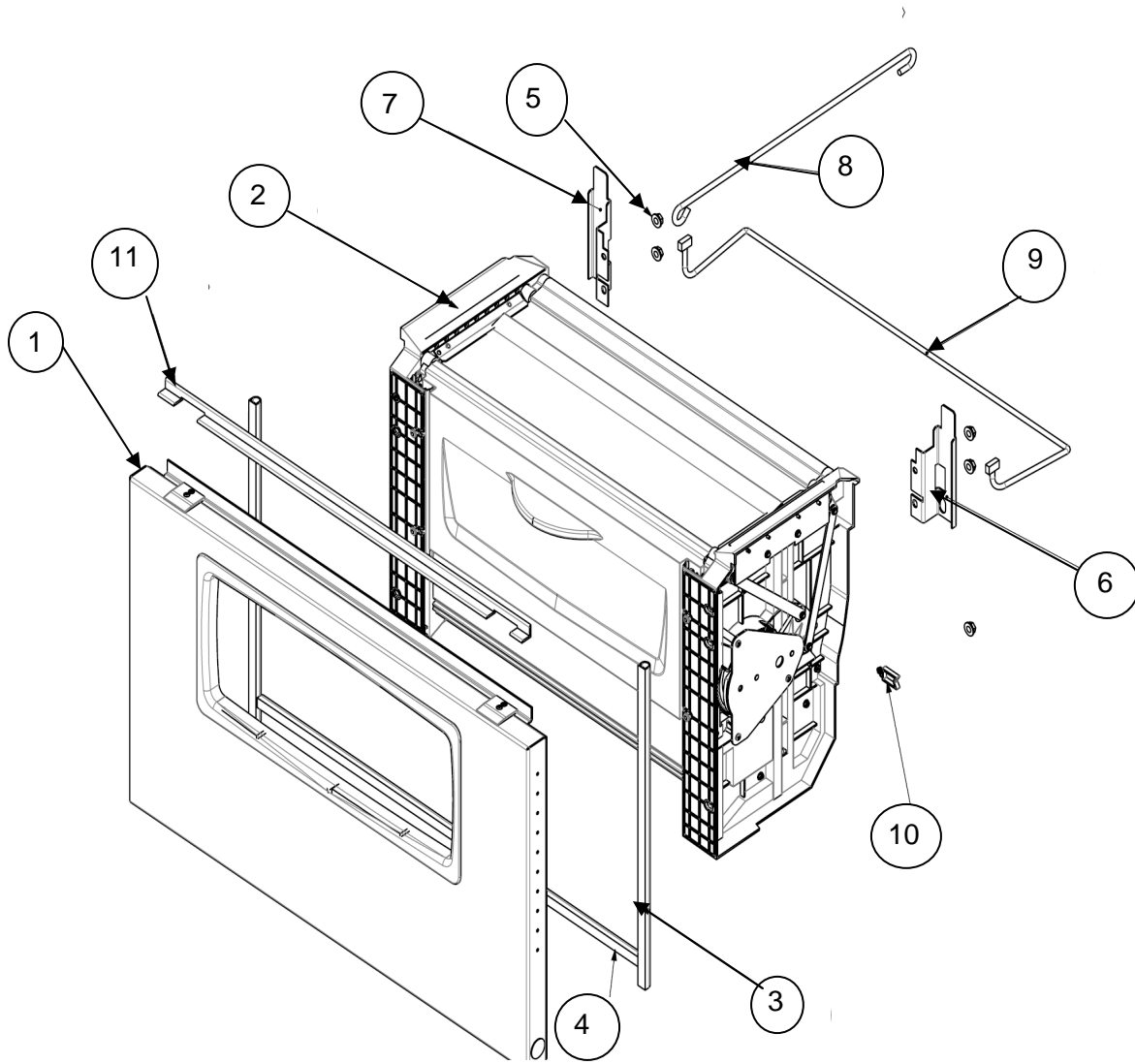


FIGURE 14: BIN & PANEL ASM COMBO 4W (PCR0014178)

TABLE 14: BIN & PANEL ASM COMBO 4W

ITEM	PART NUMBER	DESCRIPTION	QTY
1	PCR0021209	HEATED PANEL ASM, 4W CMB	1
2	PCR0013478	DEL BIN ASSY COMMON 4W	1
3	CR0005256	GASKET, D,DEL BIN SIDE	2
4	CR0005257	GASKET, D,DEL BIN BOTTOM 4WD	1
5	1172021	NUT, 1/4-20 WHIZ-LOCK	6
6	CR0014242	LATCH BRACKET-BIN CMB R	1
7	CR0014248	LATCH BRACKET-BIN CMB L	1
8	CR0014142	ROD, STOP,DELIVERY BIN	1
9	CR0017897	HARNESS, EMITTER TO DETECTOR	1
10	CR0006162	WIRE SADDLE, WSBH-3-01	1
11	CR0020593	BIN DOOR SEAL, 4W ADA CMB	1
12	CR0020911	HARN, BIN HEATER ADA 4W 15WATT (NOT SHOWN)	1
12	4727069	GASKET, .19X.38 (100 ft/roll)(NOT SHOWN)	*

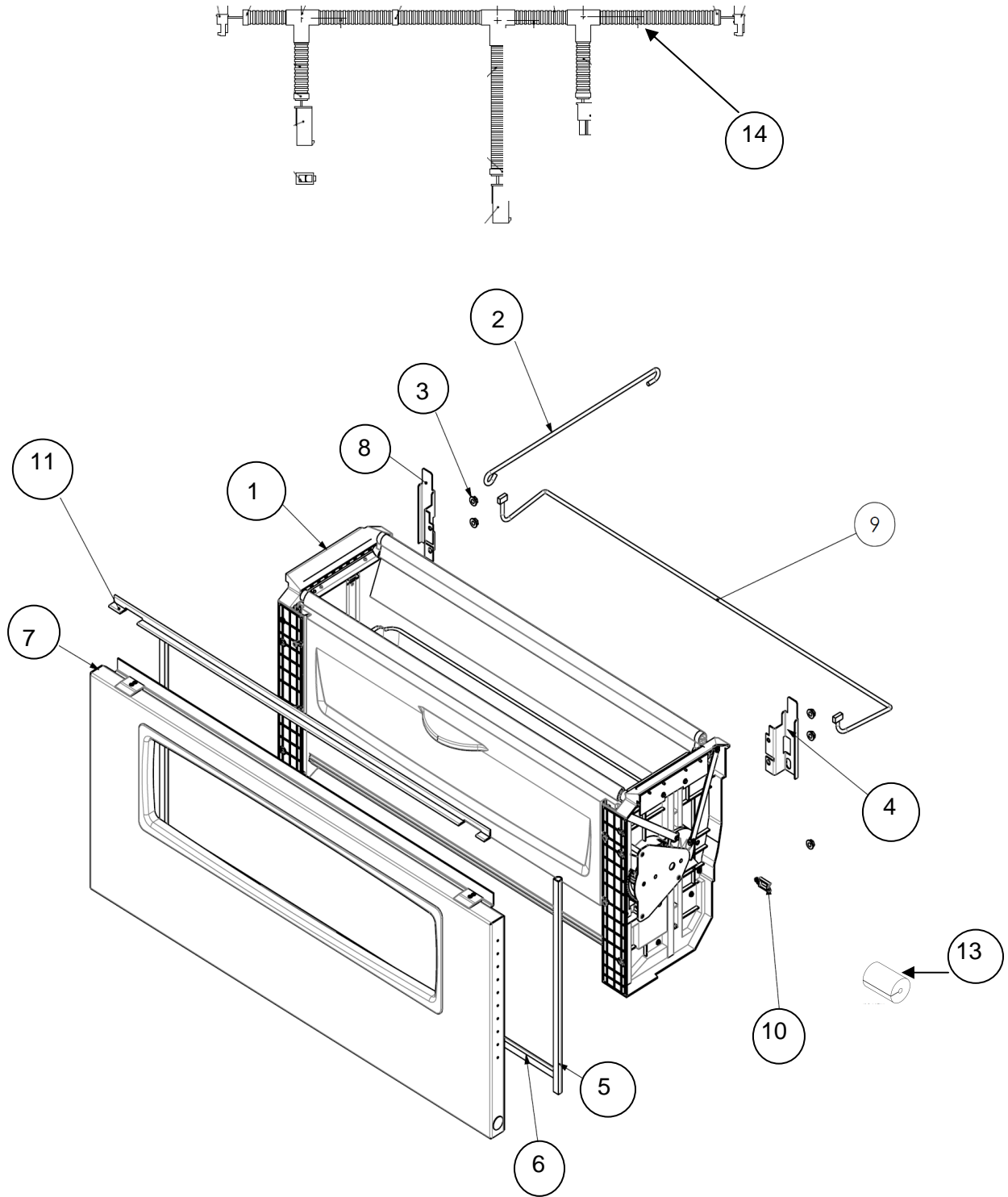


FIGURE 15: BIN & PANEL ASM COMBO 6W(PCR0012686)

TABLE 15: BIN & PANEL ASM COMBO 6W

ITEM	PART NUMBER	DESCRIPTION	QTY
1	PCR0013428	DEL BIN ASSY COMMON 6W	1
2	CR0014142	ROD, STOP,DELIVERY BIN	1
3	1172021	NUT, 1/4-20 WHIZ-LOCK	6
4	CR0014242	LATCH BRACKET-BIN CMB R	1
5	CR0005256	GASKET, D,DEL BIN SIDE	2
6	CR0005258	GASKET-D-DEL. BIN BOTTOM-6 W	1
7	PCR0021208	HEATED PANEL ASM, 6W CMB	1
8	CR0014248	LATCH BRACKET-BIN CMB L	1
9	CR0017897	HARNESS, EMITTER TO DETECTOR	1
10	CR0006162	WIRE SADDLE, WSBH-3-01	1
11	CR0020590	BIN DOOR SEAL, 6W ADA CMB	1
12	CR0021044	HARNESS, BIN HTR ADA 6W 15W (NOT SHOWN)	1
13	CR0020895	SEAL, SUREVEND WIRE OPENING	1
14	CR0020930	HARNESS,SUREVEND & BIN POWER	1

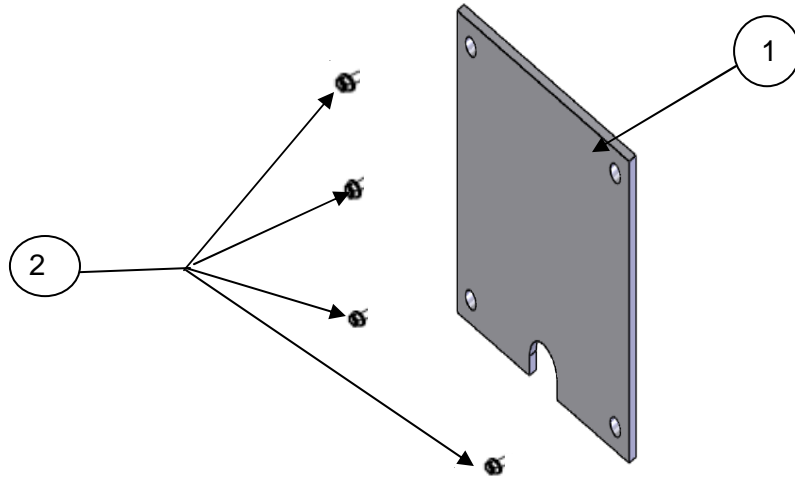


FIGURE 16: COVER, CORD

TABLE 16: COVER, CORD			
ITEM	PART NUMBER	DESCRIPTION	QTY
1	CR0014835	COVER, CORD	1
2	4741050	SCREW,#8-32X.50 HX.HD.-T/F-BLK	4

THIS PAGE INTENTIONALLY LEFT BLANK

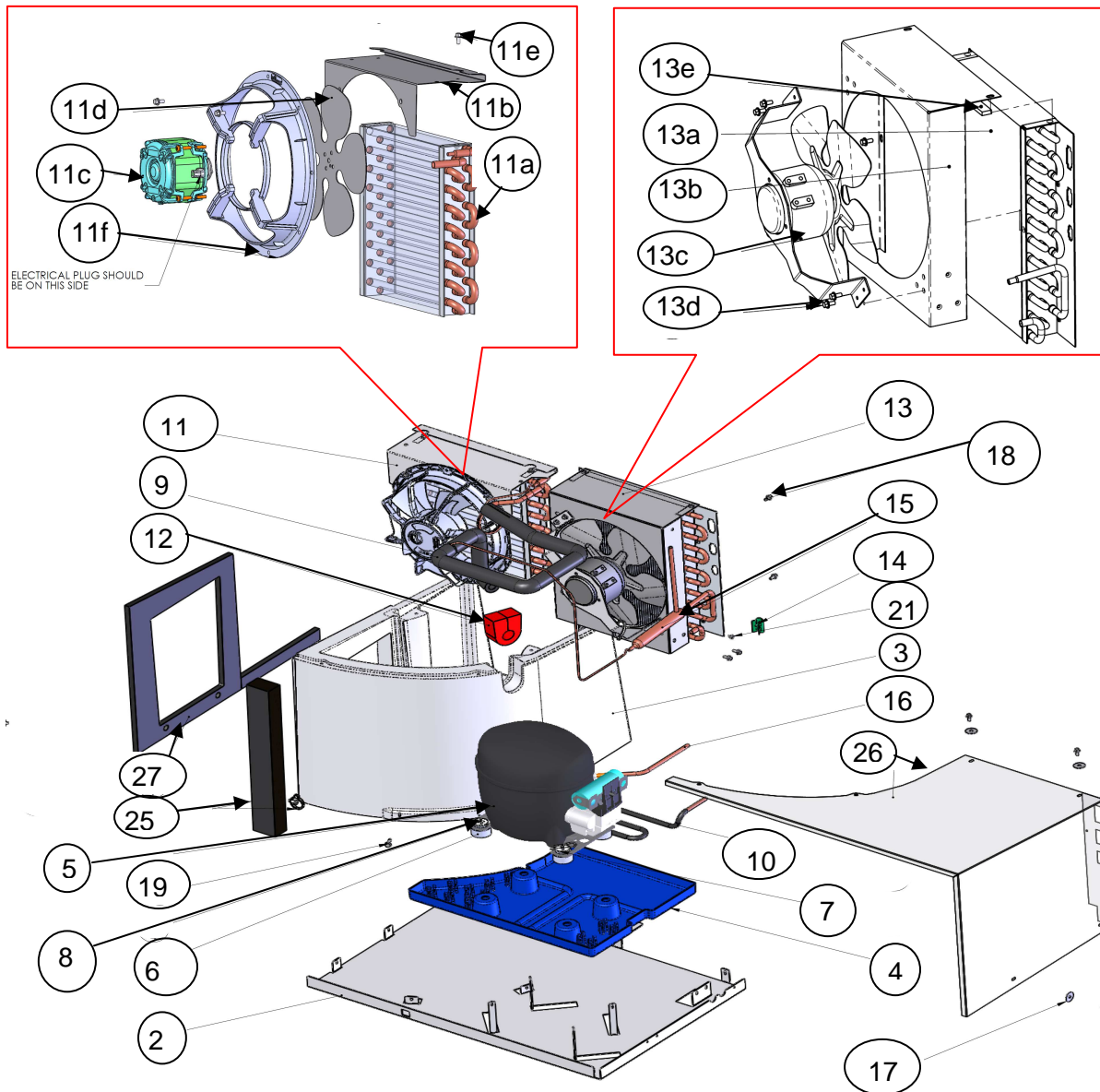


FIGURE 17: REFRIGERATION UNIT ASSEMBLY – 120VAC 4W (471)

TABLE 17: REFRIGERATION UNIT ASSEMBLY–120VAC (471)

ITEM	PART NUMBER	DESCRIPTION	QTY
1	CR0004431	A,REFR DECK,115V60HZR134A,RM	1
2	CR0005277	TRAY, REFR UNIT	1
3	CR0005267	ASSY, EVAP BOX, MOLDED	1
4	CR0002072	PAN,R, CONDENSATE W/WICKS	1
5	CR0005297	COMP,A,FFU100HAK HST 115V R134	1
6	90200057	GROMMET,R, COMPRESSOR (Part of item 5)	4
7	90180391	PLUG,R, COMPRESSOR GROMMET (Part of item 5)	4
8	90090188	CLIP,R, RETAINER COMPRESSOR (Part of item 5)	4
9	CR0005304	A, HEAT EXCHANGE FORMED DOM	1
10	65704081	A, TUBE, CONDENSATE LOOP	1
11	CR0010938	ASSY, EVAP COIL AND FAN	1
11a	CR0004375	EVAPORATOR, 3R X 8 X 9	1
11b	CR0005301	SHROUD,FAN	1
11c	CR0022409	MOTOR, EVAPORATR ECPLUS 115V	1
11d	80030438	SCRW,R,8-32x3/8 TYPE1 HXWSHR	4
12	CR0005265	GROMMET, EVAP BOX SEAL	1
13	CR0004465	A,CONDNSR 2x8x9 EM&S 120V9W	1
13a	CR0004376	CONDENSER, 3R X 8 X 11	1
13b	CR0004466	SHROUD, COND FAN 8" FACE	1
13c	CR0002309	A,CONDNSR FAN MOTOR,STRAP	1
13d	80030438	SCRW,R,8-32x3/8 TYPE1 HXWSHR	6
13e	80360124	TAPE,R,FM CLOSED CELL .187X.50	8
14	CR0005716	CLIP, SPRING 5/16-1/4 COUPLE	1
15	80240129	DRYER,R,..054 EXTND OUTLT R134a	1
16	63505019	A, TUBE PROCESS 6.75IN	1
17	6138181	WASHER, PLATE SS	4
18	80030438	SCRW,R,8-32x3/8 TYPE1 HXWSHR	9
19	80030541	SCREW,R, #10 X .750 TEK ZINC	4
20	9987852	PROBE, TEMP SENSOR (NOT SHOWN)	4
21	80030434	SCRW,R,8-32x¼ PHL PAN SWGFRM	1
22	4499001	HARNESS, TEMP SENSORS (NOT SHOWN)	1
23	4499019	HARNESS, EVAP FAN (NOT SHOWN)	1
24	4499020	HARNESS, COMPRESSOR (NOT SHOWN)	1
25	CR0006166	GASKET, 1.75 X 1.181 SOFT	1
26	CR0005563	DUCT, CONDENSER EXIT 3R	1
27	CR0005370	GASKET SET, REFR UNIT	1

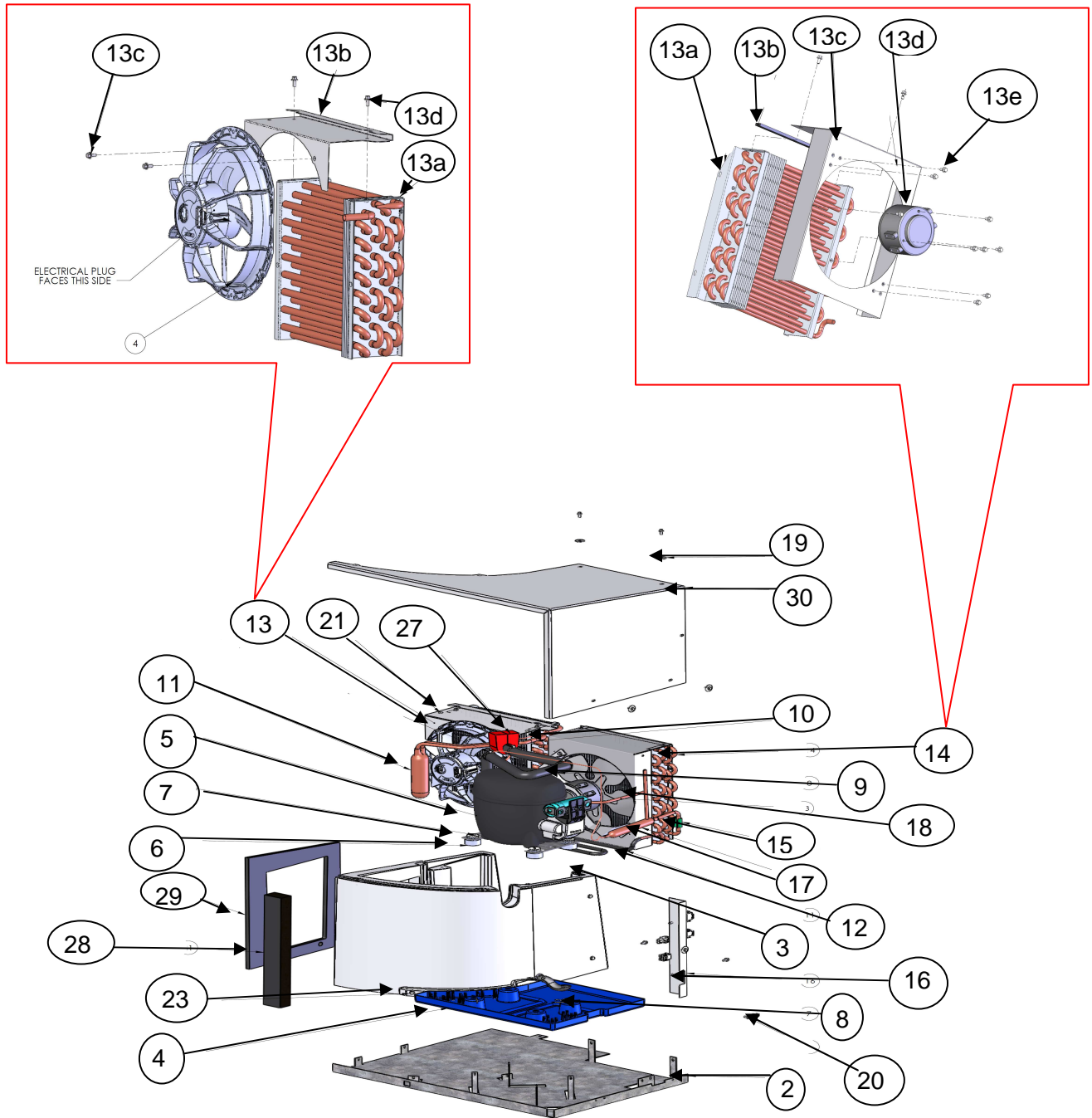


FIGURE 18: REFRIGERATION UNIT ASSEMBLY – 120VAC 6W (472)

TABLE 18: REFRIGERATION UNIT ASSEMBLY-120VAC (472)

ITEM	PART NUMBER	DESCRIPTION	QTY
1	CR0008293	A,REFR DECK,115V60HZR134,RMM	1
2	CR0008295	TRAY, REFR UNIT	1
3	CR0005267	ASSY, EVAP BOX, MOLDED	1
4	CR0002072	PAN,R, CONDENSATE W/WICKS	1
5	80250289	A,COMP,FFU130HAX,513200620	1
6	90200057	GROMMET,R, COMPRESSOR (Part of item 5)	4
7	90180391	PLUG,R, COMPRESSOR GROMMET (Part of item 5)	4
8	90090188	CLIP,R, RETAINER COMPRESSOR (Part of item 5)	4
9	CR0008396	A, HEAT EXCHANGE FORMED	1
10	CR0008115	TUBE, SUCTION EVAP-ACC	1
11	80240046	ACCUMULATOR,R,1.375OD x 6.00	1
12	65704081	A, TUBE, CONDENSATE LOOP	1
13	CR0010935	ASSY, EVAP COIL AND FAN EBRMM	1
13a	CR0004391	EVAPORATOR COIL	1
13b	CR0005301	SHROUD,FAN	11
13c	80030438	SCRW,R,8-32x3/8 TYPE1 HXWSHR	4
13d	CR0022409	MOTOR, EVAPORATR ECPLUS 115V	1
14	CR0005719	ASSY,CONDENSER,4R,115V60Hz	1
14a	CR0010358	CONDENSER. COIL 11 x 8 x 2.5,P	1
14b	80360124	TAPE,R,FM CLOSED CELL .187X.50	10
14c	CR0005726	SHROUD, COND FAN 8" FACE	1
14d	CR0002309	A,CONDENSER FAN MOTOR,STRAP	1
14e	80030438	SCRW,R,8-32x3/8 TYPE1 HXWSHR	11
15	CR0005716	CLIP, SPRING 5/16-1/4 COUPLE	1
16	CR0008296	BRACKET, COND EXT 4 ROW	1
17	80240129	DRYER,R,.054 EXTND OUTLT R134a	1
18	63505019	A, TUBE PROCESS 6.75IN	1
19	6138181	WASHER, PLATE SS	7
20	80030438	SCRW,R,8-32x3/8 TYPE1 HXWSHR	8
21	80030454	SCREW,R, HEX HD,10-16,.50 LG	4
22	80030541	SCREW,R, #10 X .750 TEK ZINC	8
23	9987852	PROBE, TEMP SENSOR (NOT SHOWN)	3
24	4499001	HARNESS-TEMP SENSOR (NOT SHOWN)	1
25	4499019	HARNESS-EVAP FAN (NOT SHOWN)	1
26	4499020	HARNESS, COMPRESSOR (NOT SHOWN)	1
27	CR0005265	GROMMET, EVAP BOX SEAL	1
28	CR0006166	GASKET, 1.75 X 1.181 SOFT	1
29	CR0005370	GASKET SET, REFR UNIT	1
30	CR0008335	DUCT, CONDENSER EXIT 4R	1

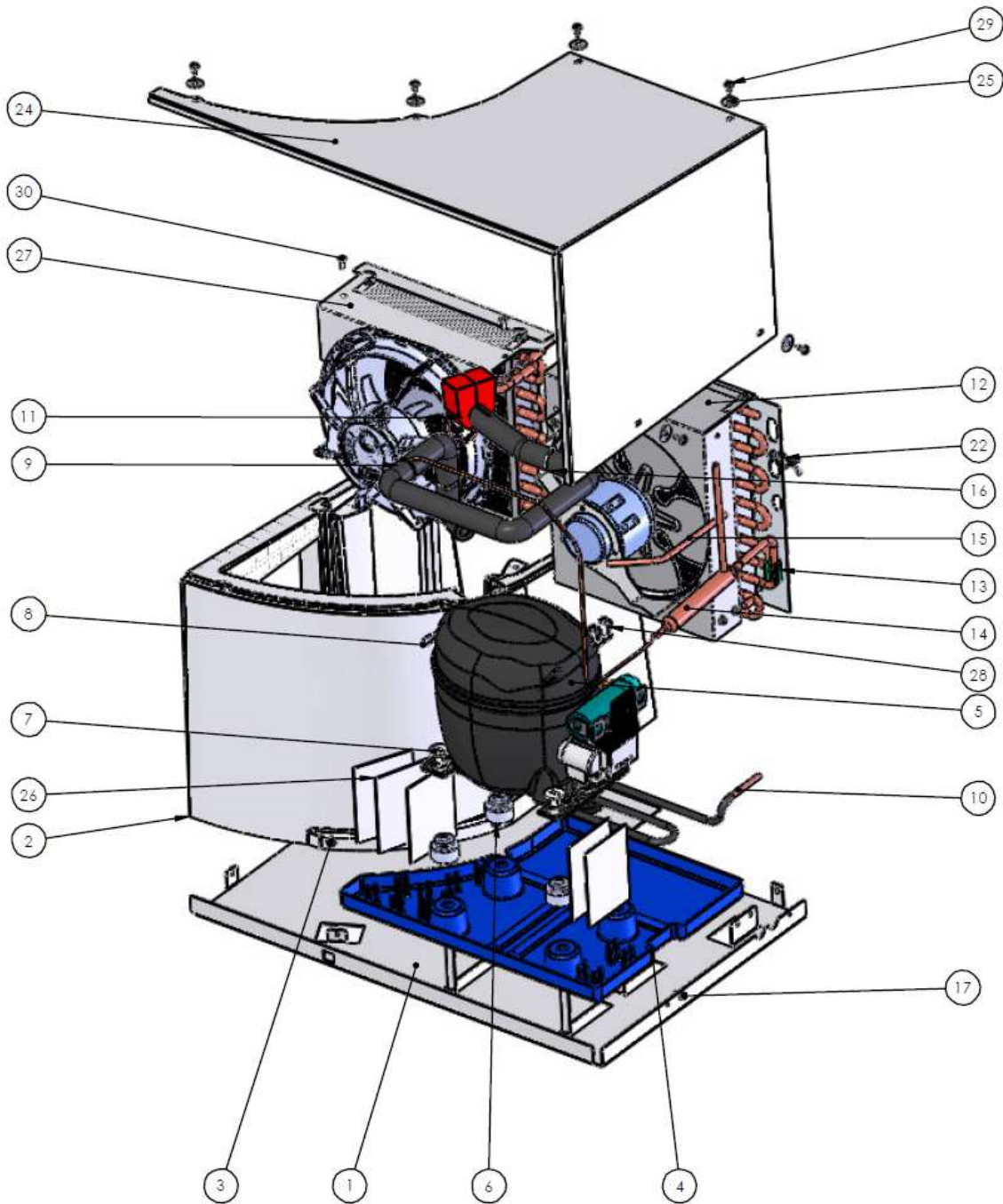


FIGURE 19: REFRIGERATION UNIT ASSEMBLY – 230VAC 4W (471,472)

TABLE 19: REFRIGERATION UNIT ASSEMBLY–230VAC (471,472)

ITEM	PART NUMBER	DESCRIPTION	QTY
*	CR0006230	A,REFR DECK,230V50HZR134A,RM	1
1	CR0005277	TRAY, REFR UNIT	1
2	CR0005267	ASSY, EVAP BOX, MOLDED	1
3	80030541	SCREW,R, #10 X .750 TEK ZINC	4
4	CR0002072	PAN,R, CONDENSATE W/WICKS	1
5	CR0005298	COMP,A,FFU130HAXHST,220R134	1
5a	CR0005485	COMP,FFU130HAXHST,220V,R134	1
5b	CR0006236	COVER, ELECTRICAL COMP, INT	1
5c	80240217	BRACKET, CAPACTR FFU130HAX	1
5d	CR0006234	CAPCTR START,A,FFU130HAX220	1
5e	CR0005487	RELAY,COMPSTRT,FFU130HAX230	1
5f	CR0005489	CORD, RELIEF FFU130HAX 230V	1
5g	CR0005718	OVERLD,COMPRSR FFU130HAX230	1
6	90200057	GROMMET,R, COMPRESSOR	4
7	90180391	PLUG,R, COMPRESSOR GROMMET	4
8	90090188	CLIP,R, RETAINER COMPRESSOR	4
9	CR0005304	A, HEAT EXCHANGE FORMED	1
10	65704081	A, TUBE, CONDENSATE LOOP	1
11	CR0005265	GROMMET, EVAP BOX SEAL	1
12	CR0006231	A,CONDNSR 3x8x9EM&S 220V16W	1
12a	CR0004376	CONDENSER, 3R X 8 X 11	1
12b	CR0004466	SHROUD, COND FAN 8" FAC	1
12c	CR0004747	A,CONDNSR FAN MTR,STRP EXP	1
12d	CR0004177	MOTOR,A,FAN EM&S,16W 230V/50HZ	1
13	CR0005716	CLIP, SPRING 5/16-1/4 COUPL	1
14	80240129	DRYER,R,.054 EXTND OUTLT R134a	1
15	63505019	A, TUBE PROCESS 6.75IN	1
16	90190201	TIE,R, WIRE 7 1/2" Length	5
17	80030438	SCRW,R,8-32x3/8 TYPE1 HXWSHR	5
18	9987852	PROBE, TEMP SENSOR	3
19	4499001	HARNESS, TEMP SENSORS	1
20	4499019	HARNESS, EVAP FAN	1
21	4499020	HARNESS, COMPRESSOR	1
22	W223	WIRE TIE,R, TWIST,.56-.60 ID	1
24	CR0005563	DUCT, CONDENSER EXIT 3R	1
25	6138181	WASHER, PLATE SS	7
26	90580069	SOAKER,R,FIBERGLASS CONDENSATE	6
27	CR0006232	A, EVAP COIL FAN SHROUD EXP	1
27a	CR0004375	EVAPORATOR, 3R X 8 X 9	1
27b	CR0005301	SHROUD,FAN 9X8X3.7,8in-RM WLN	1
27c	CR0004783	FAN,A, EBM 1900 RPM 230/50	1
28	90460136	TERMINL,R,ARKLESS90deg QCKCNCT	2
29	80030454	SCREW,R, HEX HD,10-16,.50 LG	9
30	80030431	SCRW,R,8-18x½ PHILPN AB MACH	2

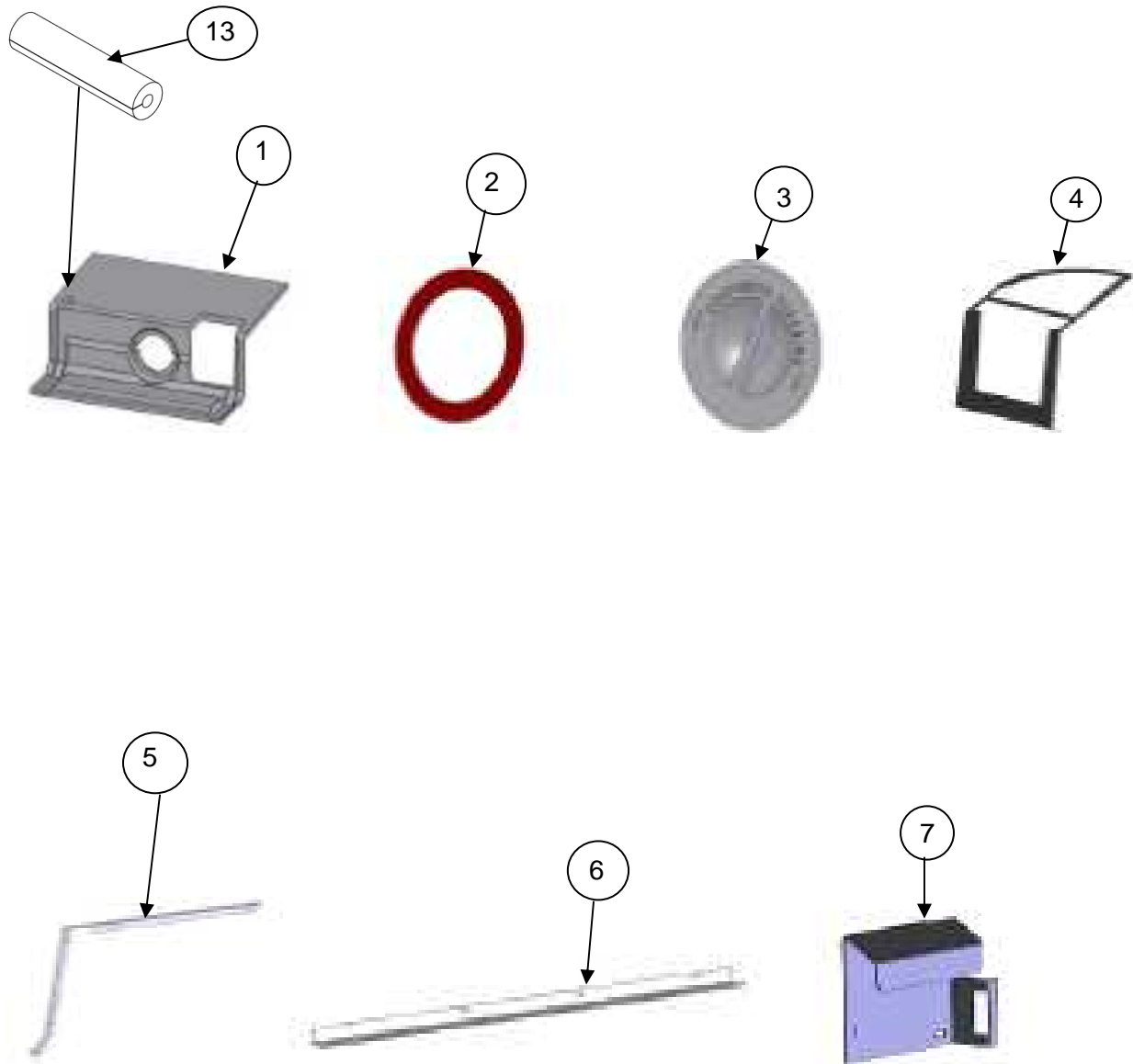


FIGURE 20: COMBO ADA BIN BARRIER

TABLE 20: COMBO ADA BIN BARRIER

ITEM	PART NUMBER		DESCRIPTION	QTY
	471 (4W)	472(6W)		
1	PCR0019052	PCR0019051	ASSY, HORIZ BARRIER	1
2	CR0005406	CR0005406	SEAL,RUBBER ACCESS PANEL	1
3	CR0014216	CR0014216	CAP, COND CLEANING	1
4	CR0014003	CR0014003	GASKET, EVAP BOX	1
5	CR0014210	CR0014210	SUPPORT, LH BARRIER	1
6	CR0014061	CR0013898	BRACKET, BARRIER	1
7	CR0014298	CR0014298	PLATE, DEFLECTOR LEFT	1
8	CR0006162	CR0006162	WIRE SADDLE, WSBH-3-01 (NOT SHOWN)	2
9	CR0014062	CR0013934	GASKET, REAR CAB	1
10	CR0013922	CR0013922	GASKET, INSUL BARR CHANNEL(NOT SHOWN)	2
11	19609043	19609043	RIVET,R, BULBEX 3/16 (NOT SHOWN)	9
12	CR0007533	CR0007533	SCREW,10-24X3/8F HEX SL BLK(NOT SHOWN)	2
13	CR0020894	CR0020894	SEAL,REF PWR MB WIRE OPNNG RM	1

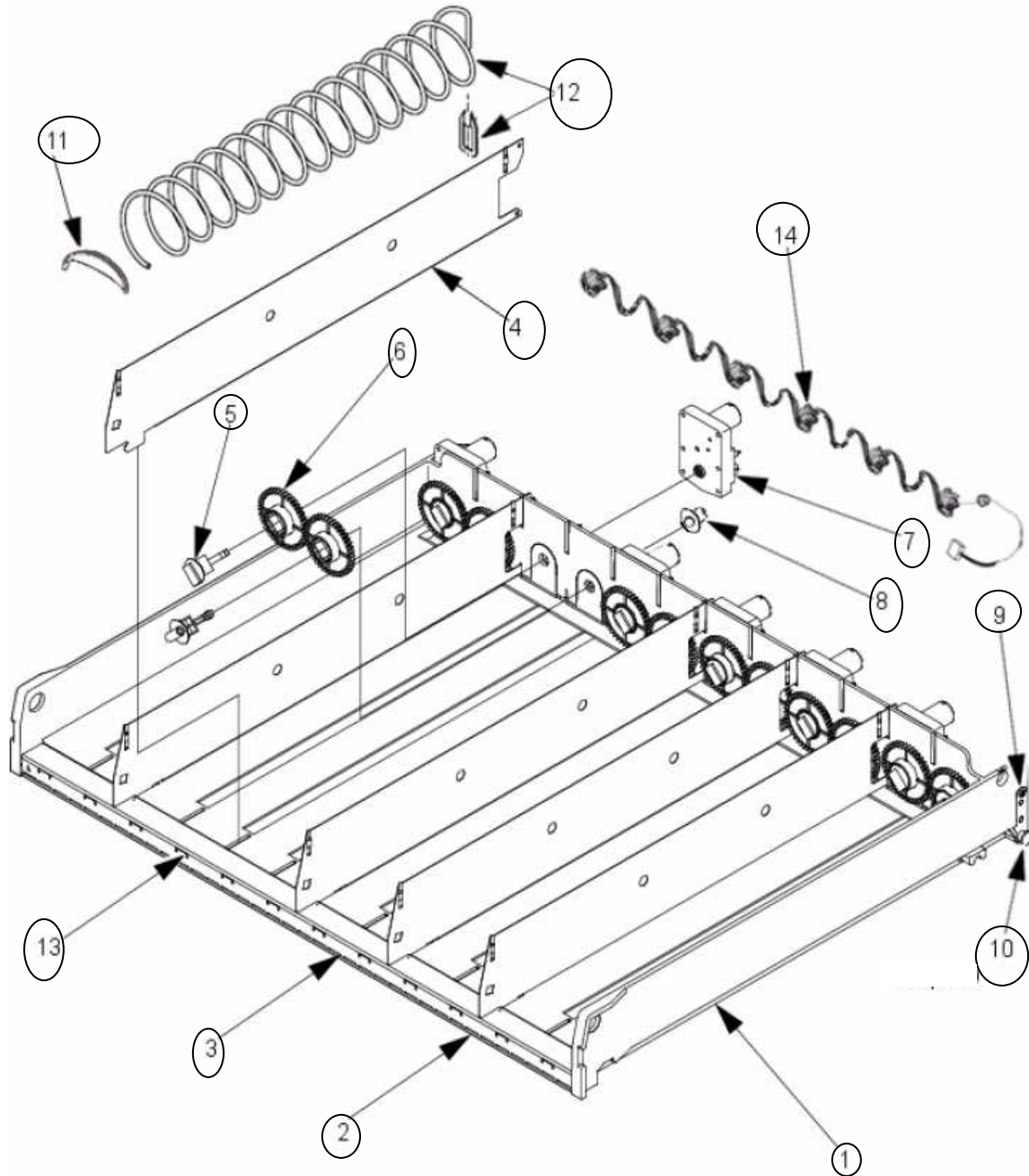


FIGURE 21: SNACK TRAY

TABLE 21: SNACK TRAY					
ITEM	MODEL 186	MODEL 187	DESCRIPTION	186	187
*	P1807000	P1817000	TRAY-SNACK ASSEMBLY(NO SPIRALS)	----	----
1	1807022	CR0007114	MOLDED TRAY & AXLE ASM	----	----
	1807003	1817003	MOLDED TRAY ONLY-26.84 DEEP	----	----
2	1807004	1817058	RAIL-PRICE SEL	1	1
3	1807005	1817005	HOLDR,PRICE ROLL	1	1
4	1477175	1477175	WALL-TRAY	3	5
5	1477113	1477113	COUPLING-SPIRAL	8	12
6	1477020	1477020	GEAR, TRAY	8	12
7	1577038	1577038	MOTOR & PC BOARD ASSEMBLY	4	6
8	1477022	1477022	BEARING-COUPLER	4	6
9	1817033	1817033	STRAP, SUPPORT AXLE STOP	2	2
10	1817034	1817034	AXLE-TRAY	2	2
11	1477074	1477074	PUSHER-PRODUCT	----	----
12	----	----	SEE SPIRAL TABLE 25 ON PAGE 51	----	----
13	----	----	ITEM LABELS & PRICE ROLLS ON PAGE 47	----	----
14	CR0010952	CR0010942	HARNESS-MTR-SHORT	1	1

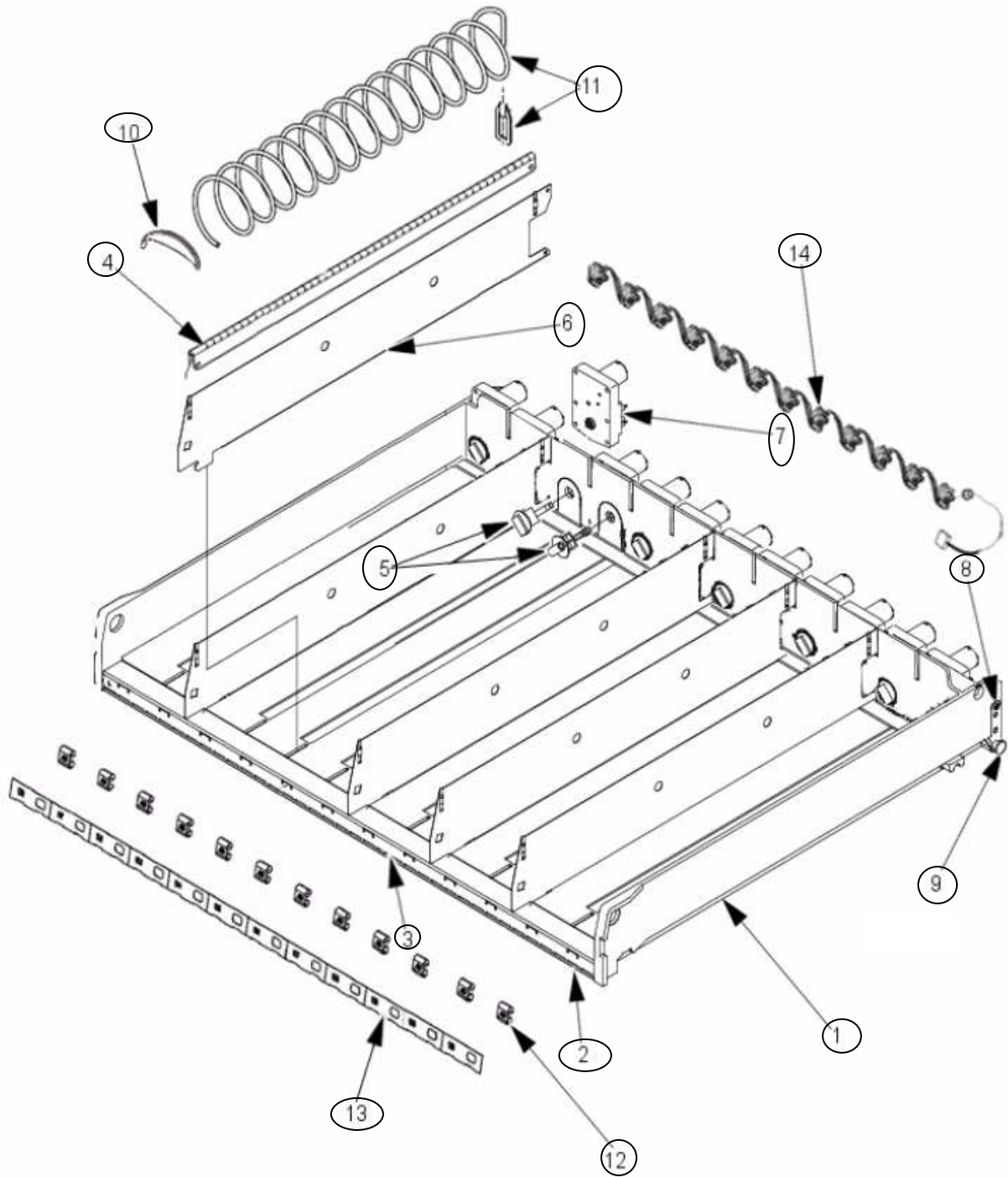


FIGURE 22: CANDY TRAY

TABLE 22: CANDY TRAY					
ITEM	MODEL 186	MODEL 187	DESCRIPTION	186	187
*	P1807001	P1817001	TRAY-CANDY ASSEMBLY(NO SPIRALS)	----	----
1	1807022	CR0007114	MOLDED TRAY & AXLE ASM	----	----
	1807003	1817003	MOLDED TRAY ONLY-26.84 DEEP	----	----
2	1807004	1817058	RAIL-PRICE SEL	1	1
3	1807005	1817005	HOLDR,PRICE ROLL	1	1
4	1677193	1677193	SPACER-ADJUSTABLE	2	2
5	1477113	1477113	COUPLING-SPIRAL	8	12
6	1477175	1477175	WALL-TRAY	7	11
7	1577038	1577038	MOTOR & PC BOARD ASSEMBLY	4	6
8	1817033	1817033	STRAP, SUPPORT AXLE STOP	2	2
9	1817034	1817034	AXLE-TRAY	2	2
10	1477074	1477074	PUSHER-PRODUCT	----	----
11	----	----	SEE SPIRAL TABLE 25 ON PAGE 51	----	----
12	AP17400153	AP17400153	ROLL-PRICE LABEL SELF-COILING,\$.40 - \$2.40	OPT	OPT
	80388674	80388674	ROLL-PRICE LABEL SELF-COILING,\$2.40-\$4.35	OPT	OPT
	1477014	1477014	ROLL, PRICE CENTS		
	1477015	1477015	ROLL, PRICE DOLLARS		
	AP17400185	AP17400185	ROLL-PRICE LABEL SELF-COILING-UK		
	AP17400186	AP17400186	ROLL-PRICE LABEL SELF-COILING-AUS		
	AP17400188	AP17400188	ROLL-PRICE LABEL SELF-COILING-MEX		
13	1817041	1817041	LABEL, ITEM NUMBERS-100's	1	1
	1817042	1817042	LABEL, ITEM NUMBERS-200's	1	1
	1817043	1817043	LABEL, ITEM NUMBERS-300's	1	1
	1817044	1817044	LABEL, ITEM NUMBERS-400's	1	1
	1817045	1817045	LABEL, ITEM NUMBERS-500's	1	1
	1817046	1817046	LABEL, ITEM NUMBERS-600's	1	1
	1817047	1817047	LABEL, ITEM NUMBERS-700's	1	1
14	CR0011005	CR0010832	HARNESS-MTR TRAY SHORT	1	1

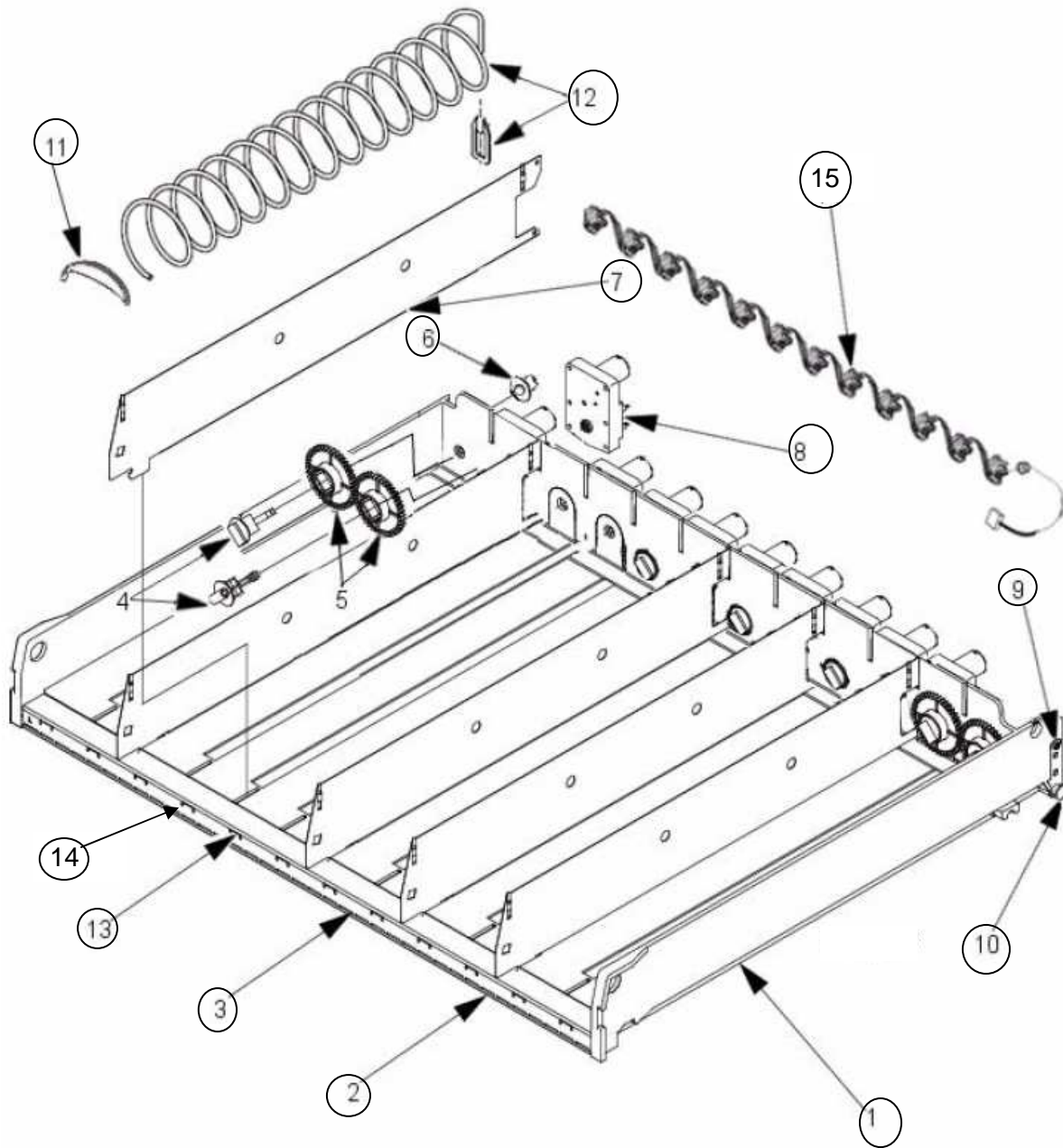


FIGURE 23: SQUAT TRAY

TABLE 23: SQUAT TRAY

ITEM	MODEL 186	MODEL 187	DESCRIPTION	186	187
*	P1807002	P1817002	TRAY-SQUAT ASSEMBLY (NO SPIRALS)	----	----
1	1807022	CR0007114	MOLDED TRAY & AXLE ASM	----	----
	1807003	1817003	MOLDED TRAY ONLY-26.84 DEEP	----	----
2	1807004	1817058	RAIL-PRICE SEL	1	1
3	1807005	1817005	HOLDR,PRICE ROLL	1	1
4	1477113	1477113	COUPLING-SPIRAL	8	12
5	1477020	1477020	GEAR, TRAY	4	4
6	1477022	1477022	BEARING-COUPLER	2	2
7	1817011	1817011	WALL-TRAY-G&M	5	9
8	1577038	1577038	MOTOR & PC BOARD ASSEMBLY	6	6
9	1817033	1817033	STRAP, SUPPORT AXLE STOP	2	2
10	1817034	1817034	AXLE-TRAY	2	2
11	1477074	1477074	PUSHER-PRODUCT	----	----
12			SEE SPIRAL TABLE 25 ON PAGE 51		
13	AP17400153	AP17400153	ROLL-PRICE LABEL SELF-COILING,\$.40 - \$2.40	OPT	OPT
	80388674	80388674	ROLL-PRICE LABEL SELF-COILING,\$2.40-\$4.35	OPT	OPT
	1477014	1477014	ROLL, PRICE CENTS		
	1477015	1477015	ROLL, PRICE DOLLARS		
	AP17400185	AP17400185	ROLL-PRICE LABEL SELF-COILING-UK		
	AP17400186	AP17400186	ROLL-PRICE LABEL SELF-COILING-AUS		
	AP17400188	AP17400188	ROLL-PRICE LABEL SELF-COILING-MEX		
14	1817041	1817041	LABEL, ITEM NUMBERS-100's	1	1
	1817042	1817042	LABEL, ITEM NUMBERS-200's	1	1
	1817043	1817043	LABEL, ITEM NUMBERS-300's	1	1
	1817044	1817044	LABEL, ITEM NUMBERS-400's	1	1
	1817045	1817045	LABEL, ITEM NUMBERS-500's	1	1
	1817046	1817046	LABEL, ITEM NUMBERS-600's	1	1
	1817047	1817047	LABEL, ITEM NUMBERS-700's	1	1
15	CR0011005	CR0010832	HARNESS-MTR TRAY SHORT	1	1

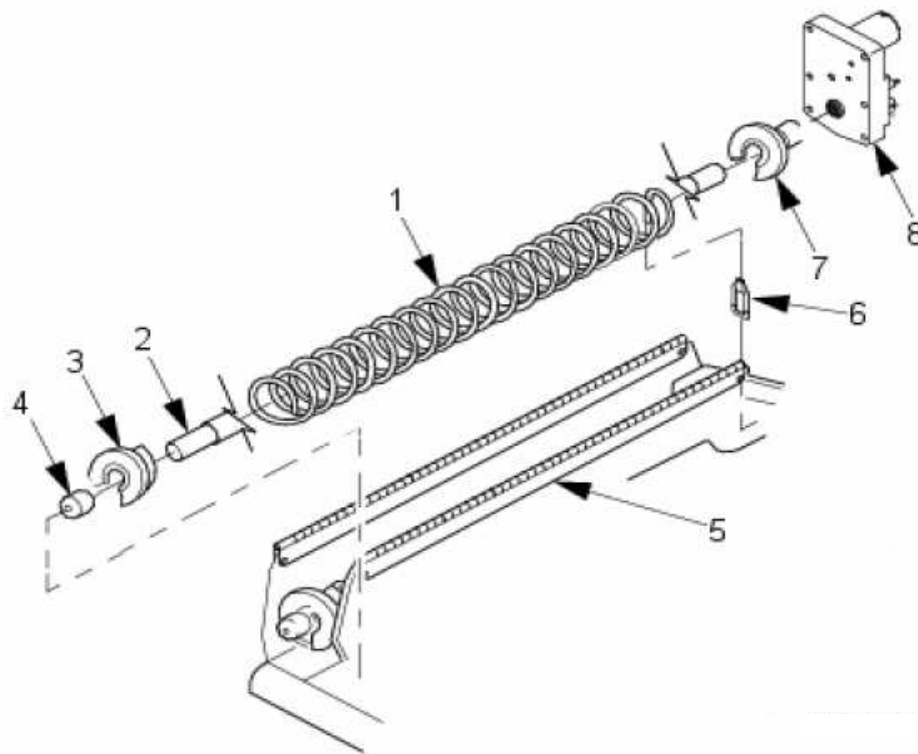


FIGURE 24: HALF CYCLE GUM & MINT SPIRAL ASSEMBLY

TABLE 24: HALF CYCLE GUM & MINT SPIRAL ASSEMBLY			
INDEX	PART NUMBER	DESCRIPTION	QTY
1	--	SPIRAL (SEE PAGE 51 FOR DETAILS)	
2	1677004	SPIRAL INSERT ASSY-BLACK	2
3	1467129	DISC-SPIRAL INSERT	2
4	1677005	CAP-SPIRAL INSERT-BLACK	4
5	1677193	SPACER-ADJUSTABLE	4
6		RETAINER-SPIRAL (SEE PAGE 38 OR DETAILS)	
7	1467130	DISC-SPIRAL INSERT	2
8	1477114	MOTOR & PCB ASSEMBLY	2
*	P1817040	KIT-PAIR-MERCH G&M SPIRALS	1

THIS PAGE INTENTIONALLY LEFT BLANK

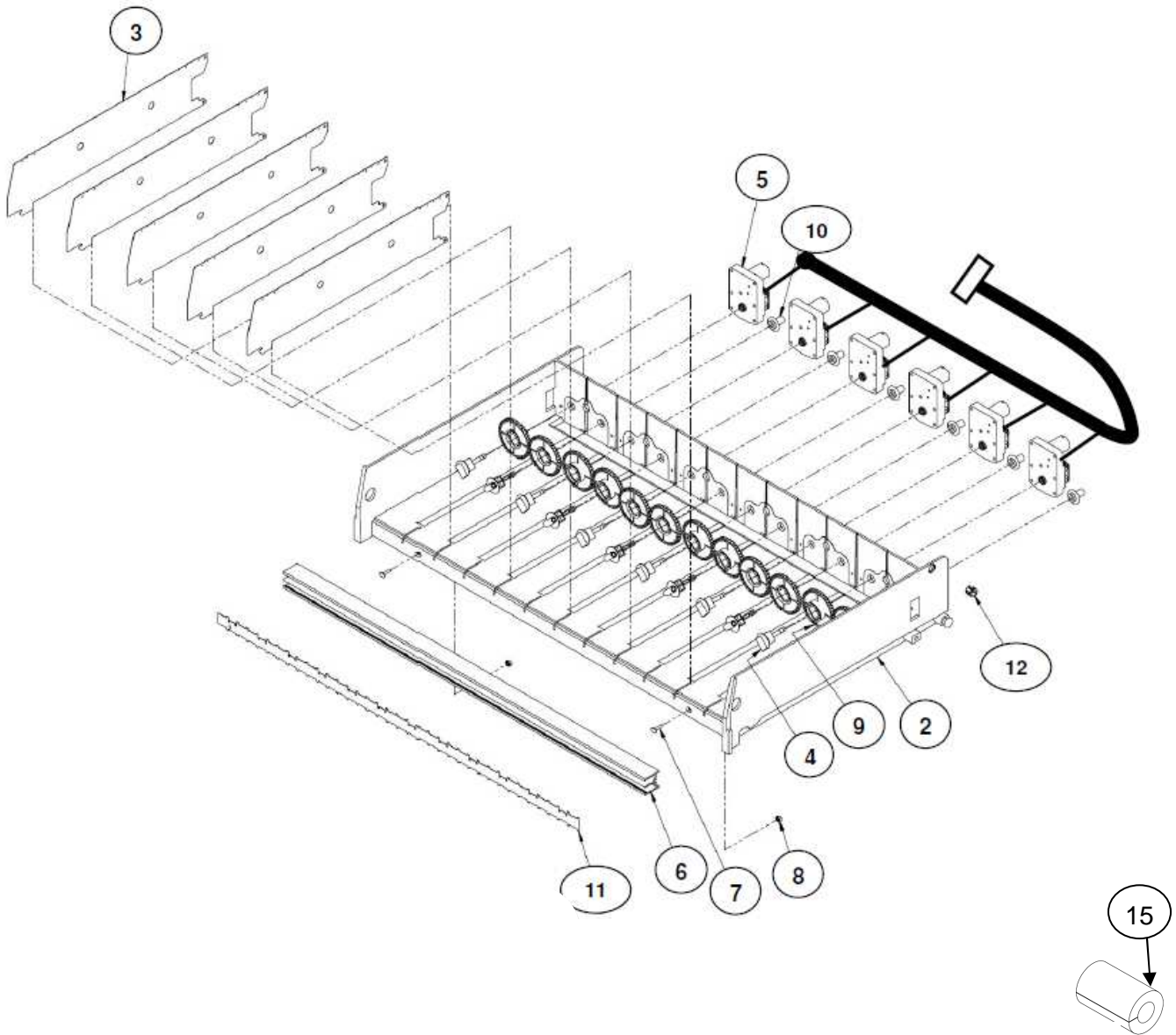


FIGURE 25: SNACK AND CANDY TRAY ASSEMBLY COMBO

TABLE 25: SNACK AND CANDY TRAY ASSEMBLY COMBO					
ITEM	MODEL 471	MODEL 472	DESCRIPTION	471	472
1	CR0005255	CR0005222	SNACK TRAY ASSEMBLY(NO SPIRALS)	----	----
	CR0005221	CR0005225	CANDY TRAY ASSEMBLY(NO SPIRALS)	----	----
2	CR0010650	CR0014533	ASSY, TRAY W/ROLLERS	1	1
----	1477097	1477097	AXLE-TRAY ROLLER – PART OF #2	2	2
----	1477148	1477148	ROLLER-TRAY – PART OF #2	2	2
----	1717001	CR0005286	TRAY	1	1
3	1707062	1707062	WALL-TRAY	----	----
4	1477113	1477113	COUPLING-SPIRAL	----	----
5	1577038	1577038	MOTOR & PC BOARD ASSEMBLY	4/8	6/12
7	2222031	2222031	TEE BOLT, TRIM	2	2
8	9900081	9900081	NUT, #8-32 KEPS ZINC PLATE	----	----
9	1477020	1477020	GEAR, TRAY	8	12
10	1477022	1477022	BEARING-COUPLER	8	12
11	1687017	CR0004222	HOLDER, PRICE & SELECTION	1	1
12	9989821	9989821	BUSHING, 0.512 DIAMETER	1	1
13	4499024	----	HARNESS, COMBO 4 MTR TRAY	1	----
	4499025	----	HARNESS, 8 MOTOR COMBO	1	----
	----	4499022	HARNESS, 6 MOTOR COMBO	----	1
		4499023	HARNESS, 12 MOTOR COMBO	----	1
14	CR0004697	CR0004697	LABEL, ITEM #'s-100's	1	1
	CR0005270	CR0005270	LABEL, ITEM #'s-200's	1	1
	CR0005271	CR0005271	LABEL, ITEM #'s-300's	1	1
	CR0005272	CR0005272	LABEL, ITEM #'s-400's	1	1
	CR0005273	CR0005273	LABEL, ITEM #'s-500's	1	1
	CR0005274	CR0005274	LABEL, ITEM #'s-600's	1	1
15	CR0020893	CR0020893	SEAL,TRAY HARNES WR OPNNG	1	1
			SPIRAL OPTIONS 28" DEEP MACHINE MODELS 471/472 SEE TABLE 25 ON PAGE 51		

**TABLE 26: SPIRAL OPTIONS 35" DEEP MACHINE
MODELS 186/187**

ITEM COUNT	RETAINER COLOR	L/H ASSEMBLY	R/H ASSEMBLY	RETAINER	DIMENSION BETWEEN COILS
5	ORANGE	1677182	1677181	1467137	4.57"
6	PURPLE	1477103	1477105	1477107	3.78"
9	GRAY	1477152	1477149	1477155	2.46"
11	BLUE	1477023	1477026	1457061	1.98"
13	YELLOW	1477029	1477032	1457062	1.65"
15	RED	1477035	1477038	1457063	1.41"
17	BROWN	1477101	1477099	1477106	1.23"
20	WHITE	1477041	1477044	1457064	1.02"
25	GREEN	1477047	1477050	1457065	.75"
30	BLACK	1477053	1477056	1477073	.60"
38	ORANGE	1477059	1477062	1467137	.44"

**TABLE 26: SPIRAL OPTIONS 28" DEEP MACHINE
MODELS 471/472**

ITEM COUNT	RETAINER COLOR	L/H ASSEMBLY	R/H ASSEMBLY	RETAINER	DIMENSION BETWEEN COILS
4	GREEN	1707049	1707051	1457065	3.66"
5	TAN	1707045	1707047	4407817	2.90"
6	PURPLE	1707041	1707043	1477107	2.46"
7	BROWN	1707058	1707060	1477058	2.23"
8	GRAY	1707016	1707018	1477155	1.81"
10	BLUE	1707004	1707006	1457061	1.44"
12	YELLOW	1707008	1707010	1457062	1.18"
14	RED	1707008	1707014	1457063	1.00"
18	WHITE	1707020	1707022	1457064	.75"

THIS PAGE INTENTIONALLY LEFT BLANK

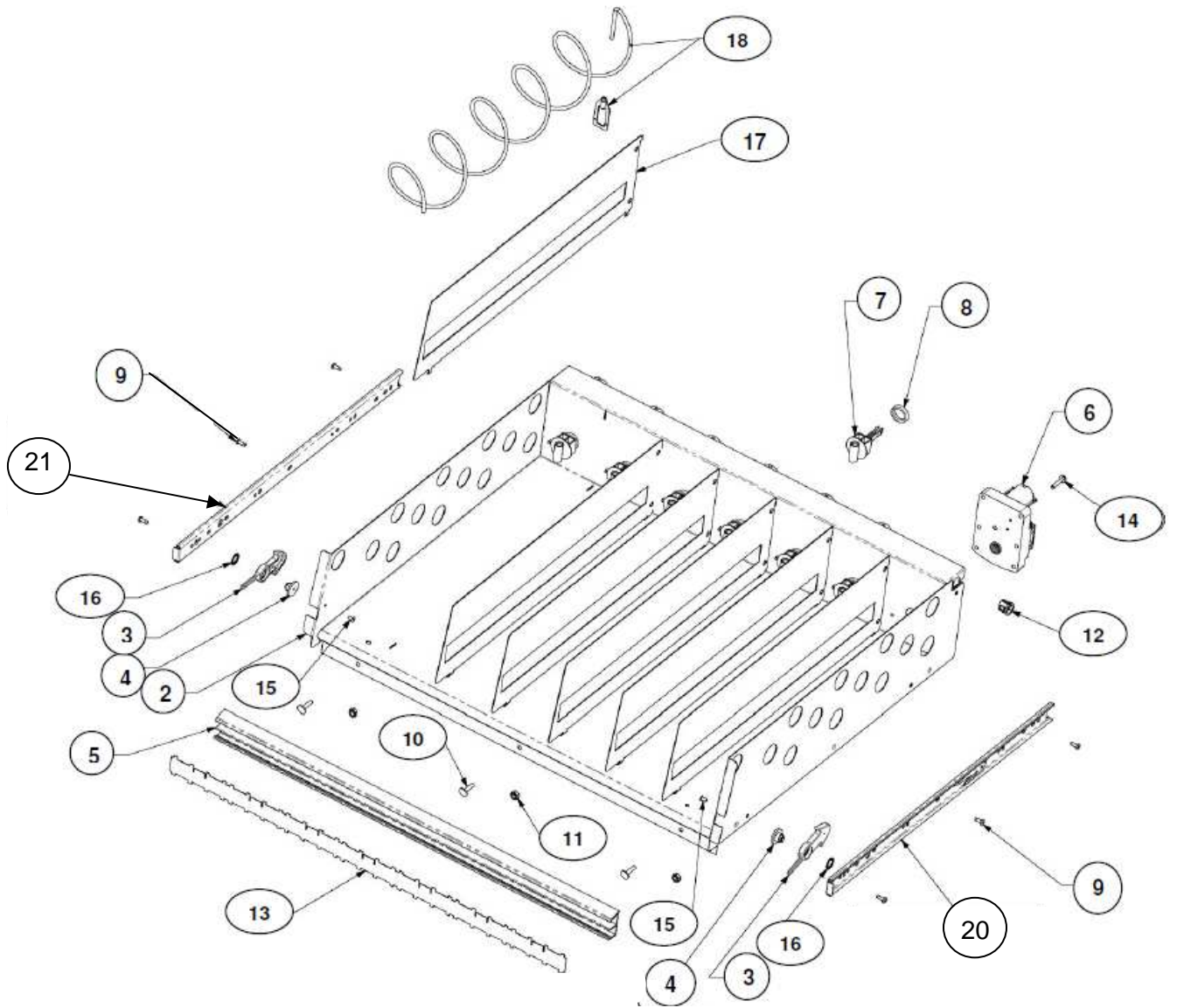


FIGURE 27: BOTTLE TRAY ASSEMBLY COMBO

TABLE 27: BOTTLE TRAY ASSEMBLY COMBO

ITEM	MODEL 471	MODEL 472	DESCRIPTION	471	472
1	PCR0007473	PCR0007474	ASSY, TRAY,BOTTLE	----	----
2	CR0014773	CR0014770	WELD ASSY, BOTTLE TRAY	----	----
3	1670031	1670031	LATCH & RETAINER PACKAGE	2	2
4	7807004	7807004	STUD-TRAY LATCH	2	2
5	CR0004570	CR0004902	RAIL, PRICE & SELECTION	1	1
6	1577038	1577038	MOTOR & PC BOARD ASSEMBLY	7	10
7	1477113	1477113	COUPLING-SPIRAL	7	10
8	4407803	4407803	SPACER-MOTOR	7	10
9	AP276-8R6	AP276-8R6	8-32X3/8 PN/NIBS HD T23 BL	6	6
10	2222031	2222031	TEE BOLT, TRIM	3	3
11	9900081	9900081	NUT, #8-32 KEPS ZINC PLATE	----	----
12	9989821	9989821	BUSHING, 0.512 DIAMETER	1	1
13	CR0007442	CR0007440	HOLDER, PRICE	1	1
14	1457027	1457027	SCREW,#8-32 X .81 HEX HD.	7	10
15	3502078	3502078	RIVET, POP-.125 DIA X .265	2	2
16	5201267	5201267	RETAINER, .312 PUSH ON	2	2
17	CR0019985	CR0019985	DIVIDER, BTL TRAY W/SPRING	6	9
18	CR0006912	CR0006912	ASSY-4CT LH SPIRAL & BLK RET	7	10
----	CR0009823	CR0009823	ASSY,5CT LH SPIRAL & TAN RET	7	10
19	4499034	4499033	HARNESS-MOTOR BOTTLE(NOT SHOWN)	1	1
20	PCR0004459	PCR0004459	MTG BRKT+SLIDE ASM RT	1	1
21	PCR0004458	PCR0004458	MTG BRKT+SLIDE ASM LT	1	1

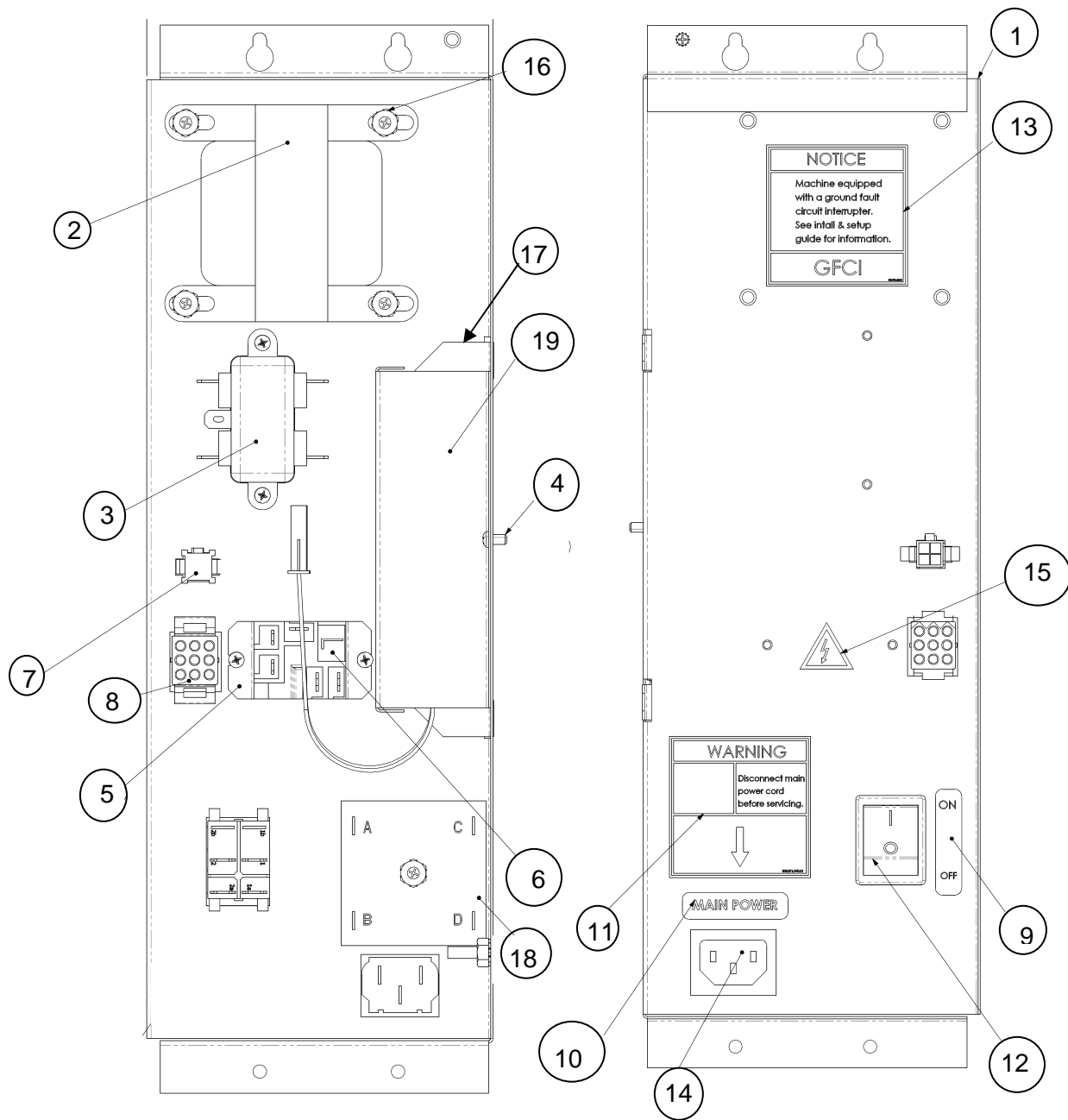


FIGURE 28: ASSY AC BOX AMB – 120VAC

TABLE 28: ASSY AC BOX AMB – 120VAC			
ITEM	PART NUMBER	DESCRIPTION	QTY
----	CR0014964	ASSY AC BOX AMB GLOBAL DOM	1
1	CR0014963	ASSY PEM AC BOX AMB GLOBAL	1
2	80492514	TRANSFMR, CLASS 2 LMTD BV/GLBL	1
3	AP380303	FILTER-LIGHT	1
4	80020248	SCREW,R,#6-32x¼"PNHD THRD FRM	5
5	80420026	RELAY, FAN COMPRESSOR & LIGHT	1
6	CR0014602	LBL, LIGHT RELAY	1
7	CR0014582	HARNESS, RELAY	1
8	CR0014592	HARNESS, AC BOX AMB(NOT SHOWN)	1
9	80387972	LBL, ON/OFF ROCKER SWITCH	1
10	80386085	LBL,R, MAIN POWER	1
11	80387694	LBL,R, POWER DISCON AC BOX	1
12	9984642	SWITCH, DPST, 20A, PNL MNT	1
13	80388542	LBL,R, NOTICE, GFCI EQUIP MACH	1
14	80491362	PLUG, POWER INLET GFV	1
15	90382586021	LBL,R, WARN HIGH VOLTAGE	1
16	9900081	NUT, #8-32 KEPS ZINC PLATE	6
17	CR0013899	POWER SUPPLY, 24VDC, 65W	1
18	80492692	CHOKE,R, CAP & MOV 120V	1
19	CR0021207	BRKT MOUNT LED PWR SUPPLY	1

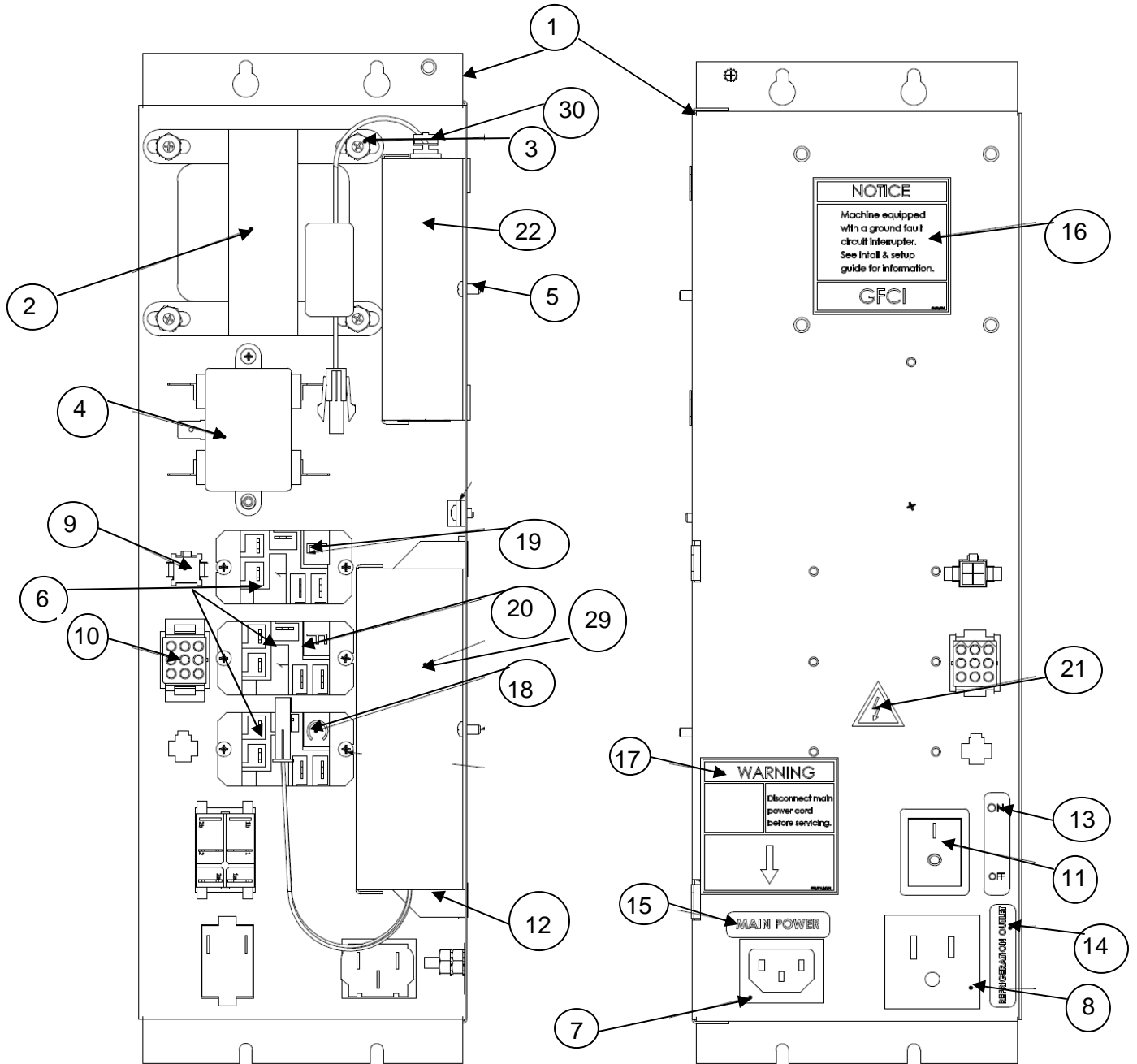


FIGURE 29: ASSY AC BOX COMBO – 120VAC

TABLE 29: ASSY AC BOX COMBO – 120VAC

ITEM	PART NUMBER	DESCRIPTION	QTY
----	PCR002110	ASSY AC BOX GLOBAL COMBO DOM	1
1	CR0021099	ASSY, STUD AC BOX HEATD DOM MG	1
2	80492514	TRANSFMR, CLASS 2 LMTD BV/GLBL	1
3	9900081	NUT, #8-32 KEPS ZINC PLATE	6
4	9989100	FILTER, INTERFERENCE	1
5	80020248	SCREW,R,#6-32x¼"PNHD THRD FRM	11
6	80420026	RELAY, FAN COMPRESSOR & LIGHT	1
7	80491362	PLUG, POWER INLET GFV	1
8	W662	OUTLET, AC, PANEL MOUNT	1
9	CR0014576	HARNESS, RELAY	1
10	CR0014549	HARNESS, AC BOX	1
11	9984642	SWITCH, DPST, 20A, PNL MNT	1
12	CR0013899	POWER SUPPLY, 24VDC, 65W	1
13	80387972	LBL, ON/OFF ROCKER SWITCH	1
14	80386804	LBL,R, REFR OUTLET	1
15	80386085	LBL,R, MAIN POWER	1
16	80388542	LBL,R, NOTICE, GFCI EQUIP	1
17	80387694	LBL,R, POWER DISCON AC BOX	1
18	CR0014601	LBL, COMPRESSOR RELAY	1
19	CR0014602	LBL, LIGHT RELAY	1
20	CR0014603	LBL,FAN RELAY	1
21	90382586	LBL,R, WARN HIGH VOLTAGE	1
22	CR0004946	BRKT,MOUNTNG 24V PWR SUPPLY	1
23	CR0020848	HARNESS, C13 ADAPTER W/FLAG(NOT SHOWN)	1
24	CR0021174	HRNSS, AC POWER IN(NOT SHOWN)	1
25	80491381	JUMPER, PWR INLET GROUND(NOT SHOWN)	1
26	80491384	GROUND,R,COMPRESSOR OUTLET(NOT SHOWN)	1
27	80491595	JUMPER, 14 AWG 6in(NOT SHOWN)	2
28	80492876	JUMPER,AC MAIN POWER WHITE(NOT SHOWN)	1
29	CR0021207	BRKT MOUNT LED PWR SUPPLY	1
30	80440147	PWR SUPP,24VDC RED 1.5AMP 36W	1

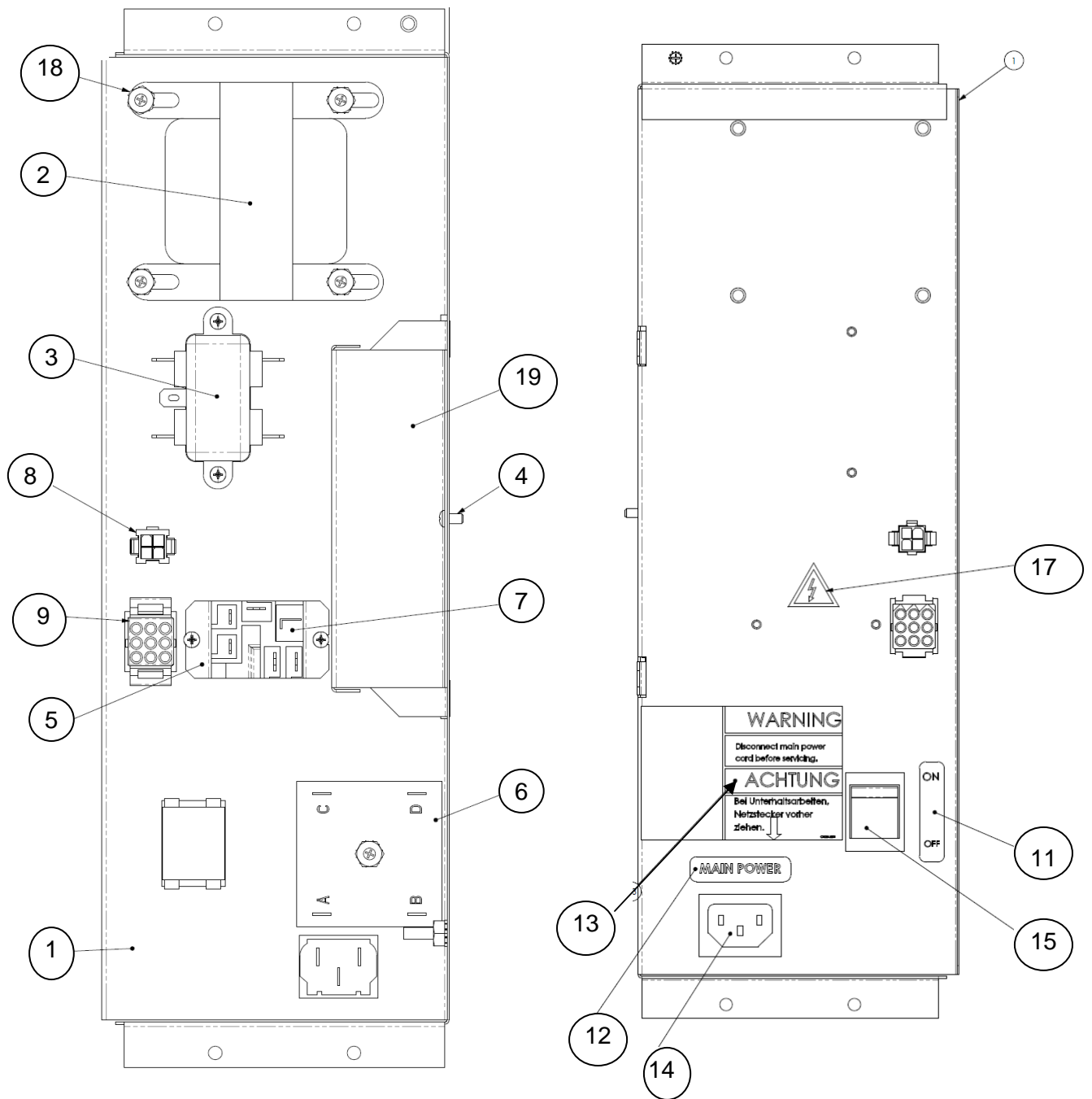


FIGURE 30: ASSY AC BOX AMB – 230VAC

TABLE 30: ASSY AC BOX AMBIENT – 230VAC

ITEM	PART NUMBER	DESCRIPTION	QTY
*	PCR0018296	ASSY AC BOX AMB EXP	1
1	CR0016649	ASSY,PEM,AC BOX EXP AMB	1
2	80492868	TRANSFORMER,R, EXPOR	1
3	AP380303	FILTER-LIGHT	1
4	80020248	SCREW,R,#6-32x1/4"PNHD THRD FRM	5
5	80420026	RELAY, FAN COMPRESSOR & LIGHT	1
6	80492691	CHOKER, CAP & MOV 240V	1
7	CR0014602	LBL, LIGHT RELAY	1
8	CR0014582	HARNESS, RELAY AMB	1
9	CR0014592	HARNESS, AC BOX AMB	1
10	CR0013899	POWER SUPPLY, 24VDC, 65W	1
11	80387972	LBL, ON/OFF ROCKER SWITCH	1
12	80386085	LBL,R, MAIN POWER	1
13	CR0015321	LBL,AC BOX POWER DIST GERMAN	1
14	80491362	PLUG, POWER INLET	1
15	80410112	SWITCH, ROCKER DPST GREEN	1
16	CR0013971	HARNESS,ADAPTER C13 W/FLAG	1
17	90382586021	LBL,R, WARN HIGH VOLTAGE	1
18	9900081	NUT, #8-32 KEPS ZINC PLATE	6
19	CR0021207	BRKT MOUNT LED PWR SUPPLY	1

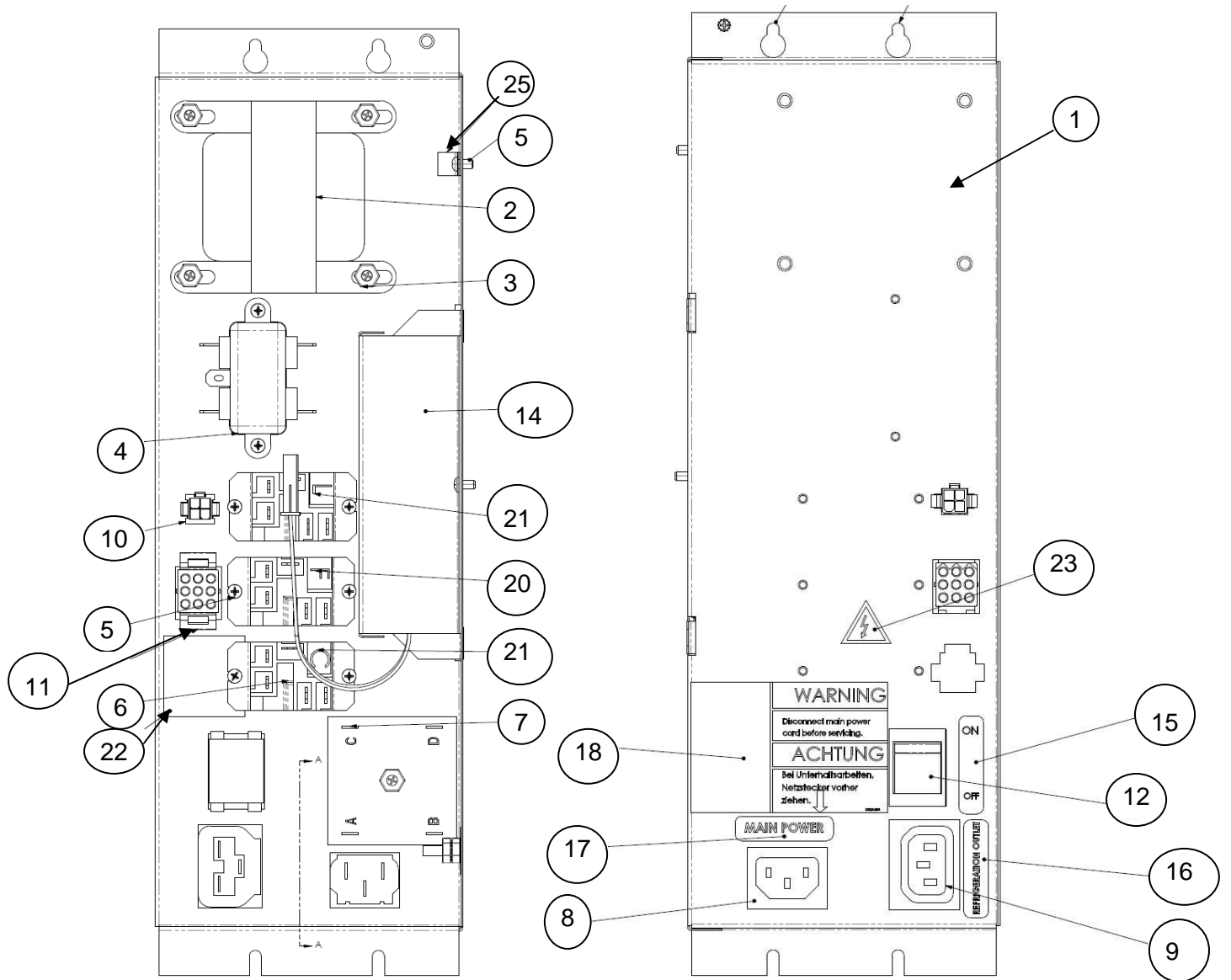


FIGURE 31: ASSY AC BOX COMBO – 230VAC

TABLE 31: ASSY AC BOX COMBO – 230VAC

ITEM	PART NUMBER	DESCRIPTION	QTY
*	PCR0015282	ASSY AC BOX GLOBAL CMB EXP	1
1	CR0015238	ASSY PEM AC BOX EX	1
2	80492868	TRANSFORMER,R, EXPORT	1
3	80080154	NUT,R, KEPS 8-32	7
4	AP380303	FILTER-LIGHT	1
5	80020248	SCREW,R,#6-32x1/4"PNHD THRD FRM	10
6	80420026	RELAY, FAN COMPRESSOR & LIGHT	3
7	80492691	CHOKE, CAP & MOV 240V	1
8	80491362	PLUG, POWER INLET	1
9	80491114	RECEPTACLE, PNL MNT IEC 320	1
10	CR0014576	HARNESS, RELAY	1
11	80492058	HARN,R,PWR DISTRIB	1
12	80410112	SWITCH, ROCKER DPST GREEN	1
13	CR0013899	POWER SUPPLY, 24VDC, 65W	1
14	CR0021207	BRKT MOUNT LED PWR SUPPLY	1
15	80387972	LBL, ON/OFF ROCKER SWITC	1
16	80386804	LBL,R, REFR OUTLET	1
17	80386085	LBL,R, MAIN POWER	1
18	CR0015321	LBL,AC BOX POWER DIST GERMAN	1
19	CR0014601	LBL, COMPRESSOR RELAY	1
20	CR0014603	LBL,FAN RELAY	1
21	CR0014603	LBL,FAN RELAY	1
22	CR0019959	AC BOX GLOBAL OPENING COVER	1
23	90382586	LBL,R, WARN HIGH VOLTAGE	1
24	90382661	LBL, GROUND	1
25	80090251	CLAMP,R,P NYLON CABLE 5/16"WHT	1
26	CR0013971	HARNESS,ADAPTER C13 W/FLAG	1
27	80492843	HARNESS,R, AC BOX PWR I	1
28	80491381	JUMPER,R, PWR INLET GROUND	2
29	80491595	JUMPER,R, 14 AWG 6in	2
30	80492876	JUMPER,AC MAIN POWER WHITE	1

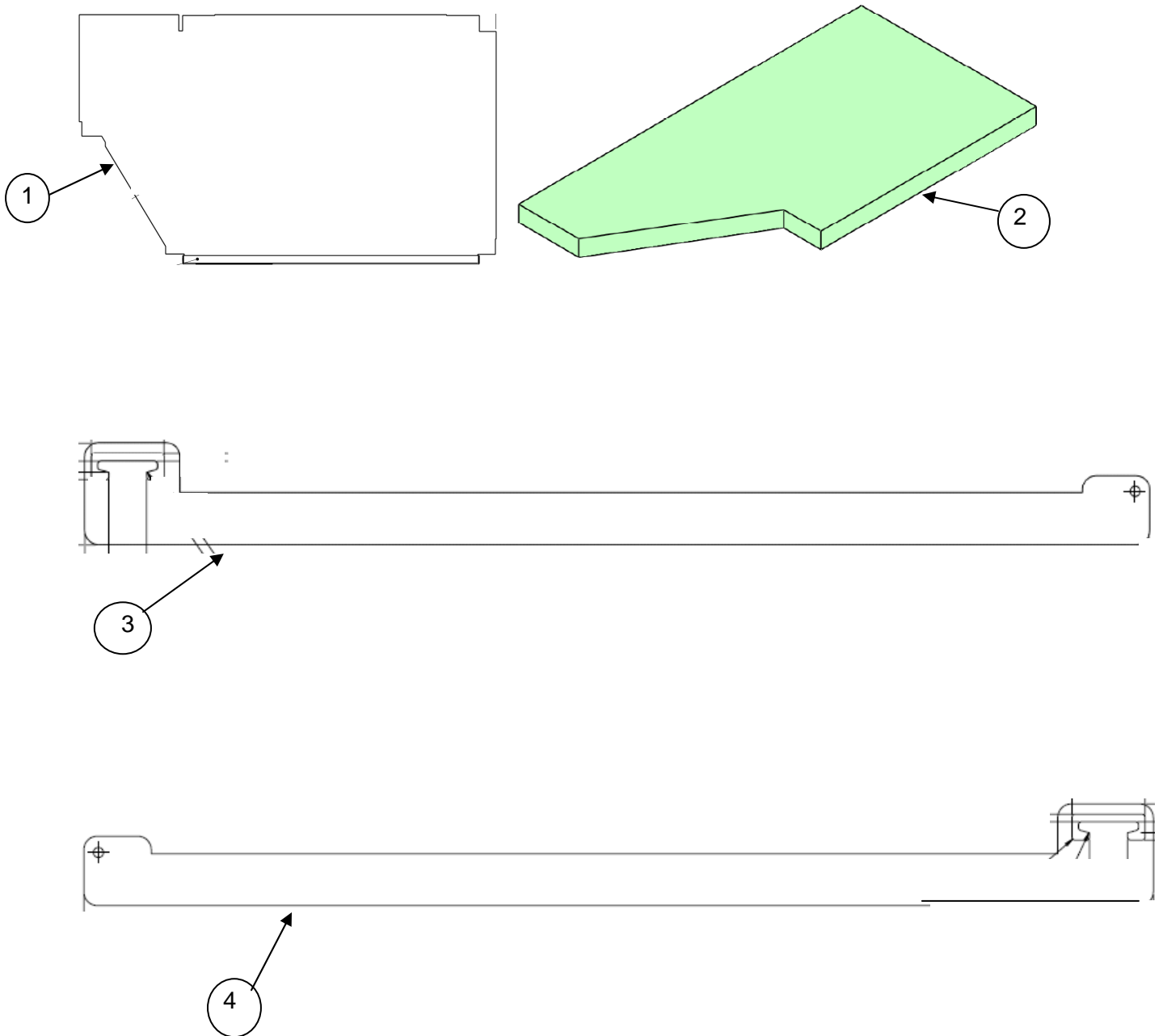


FIGURE 32: ZONE BARRIER COMBO

TABLE 32: ZONE BARRIER COMBO				
ITEM	MODEL 471	MODEL 472	DESCRIPTION	QTY
1	CR0004735	CR0004832	ASSEMBLY BARRIER	1
2	CR0004880	CR0004880	SEAL, HORIZ BARRIER	1
3	CR0004389	CR0004389	BRKT, INSULATED SHELF LT	1
4	CR0004407	CR0004407	BRKT, INSULATED SHELF RT	1
*	CR0007421		KIT, 4W DUAL ZONE BARRIER	*
*		CR0007422	KIT, 6W DUAL ZONE BARRIER	*

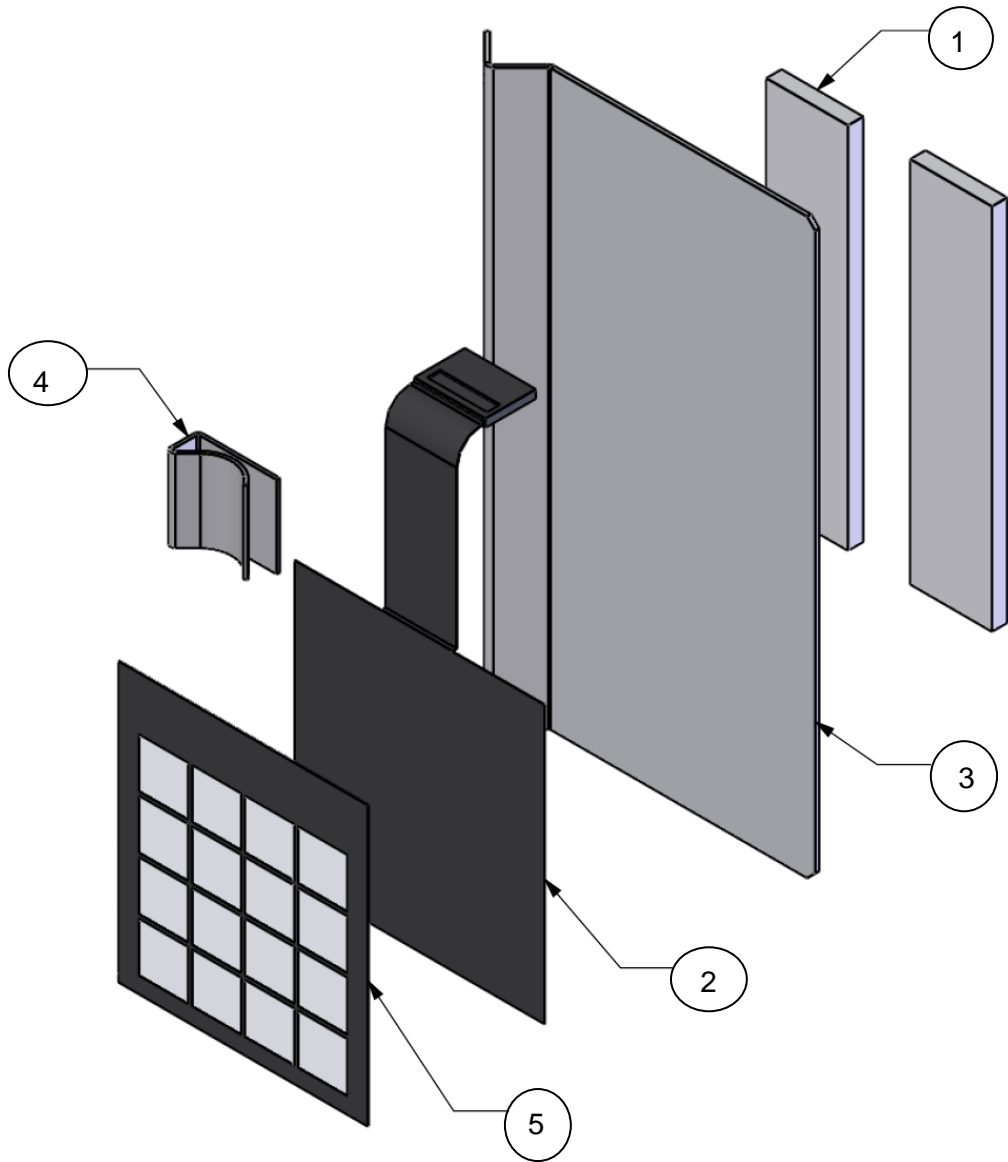


FIGURE 33: ASSY, MEDIA INTERNAL KEYPAD - OPTIONAL

TABLE 33: ASSY, MEDIA INTERNAL KEYPAD

ITEM	PART NUMBER	DESCRIPTION	QTY
*	PCR0020665	ASSY, MEDIA INTERNAL KEYPAD	
1	3122056	MAGNET,RETAINR	2
2	7215025	MEMBRANE SWITCH ASSY-PROGRAM	1
3	CR0020666	BKT, MEDIA INTERNAL KEYPAD	1
4	4302166	CABLE CLIP	1
5	CR0020726	LABEL, MEDIA SERVICE KEYPAD	1
6	CR0020536	HARNESS, SERVICE KEYPAD (NOT SHOWN)	1

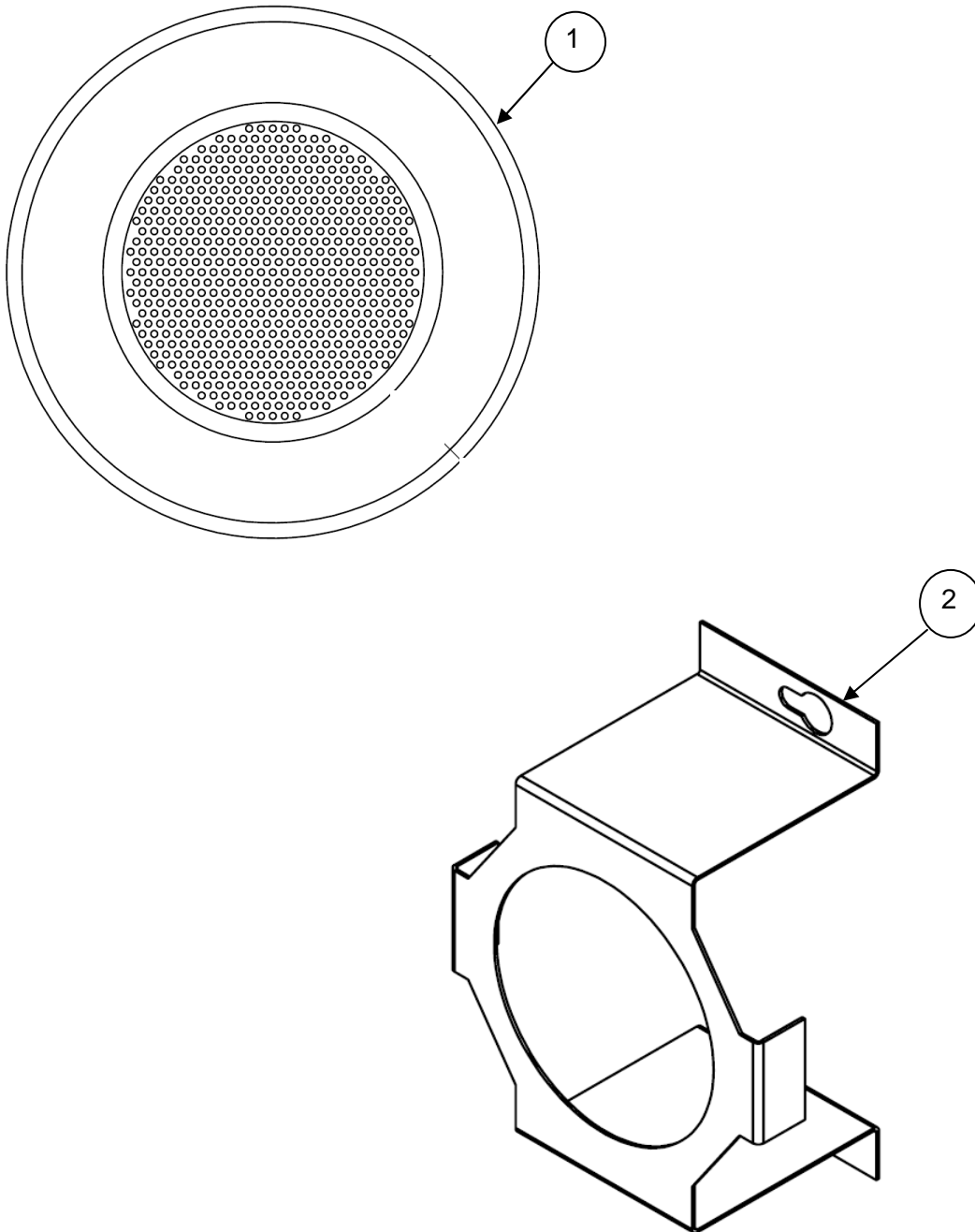


FIGURE 34: MEDIA TALKER SPEAKER AND BRACKET ASSY - OPTIONAL

TABLE 34: MEDIA TALKER SPEAKER AND BRACKET ASSY

ITEM	PART NUMBER	DESCRIPTION	QTY
1	CR0021041	SPEAKER, USB 3.5"	1
2	CR0021043	SPEAKER BRACKER 3.5"	1